



RINNAI MODERN OVENS REDEFINE COOKING

Rinnai

NEW



RO-E6533T-EB

- Super Size Capacity: 77lt
- 21 Functions
- 3D Circular Heating
- Rotary Knobs With Touch Control Panel
- Triple Glazed cool-to-touch Door
- Gentle Open and Close Door
- Twin Oven Lights
- Dynamic Oven Cooling Plus (Reduce Temperature to 60°C)
- Telescopic Pull-Out Rail
- Air Fry
- Gratin
- Fast Preheat
- EcoClean Enamel
- Step Bake
- 22 Automatic Programmes
- Temperature Setting: 30°C - 300°C
- Energy Efficiency Class: A+

Accessories

Deep Baking Tray (1), Baking Tray (1), Airfry Tray (1), Wire Grid (1)

Overall Dimension	W595 x D564 x H595 (mm)
Cut-out Dimension	W560 x D550 x H590 (mm)

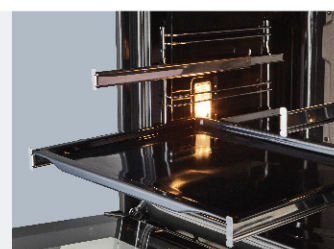


Automatic Programmes

The oven holds 22 unique recipes to choose between numerous automatic programs. Great for beginners as well as experienced home cooks. With pre-programmed configurations for time, temperature and functions, all the user needs to do is to select their dish, its weight and press start.

Telescopic Pull-Out Rail

Telescopic rails are the perfect assistant and partner for your oven. They help manoeuvre heavy trays with ease in and out of the oven. This way you don't have to worry about the close exposure to high heat and the risk of spilling or dropping your food.



Gratin

Gratination process is used in the final stage of baking and will run for 10 minutes, to get a golden yellow crust on the dish. This process protects the dish from drying while giving it a nicer look and better taste.



Simultaneous Cooking

The circular heating distributes heat evenly so that you can cook different types of food on different shelves simultaneously without worrying that the smells and tastes will be transferred from one dish onto another.

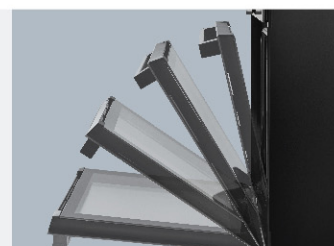
Cool-to-Touch Triple Glazed Oven Door

The low-e glass reflects heat back into the oven, boosting safety and efficiency. It helps to keep the oven door cool while it is in use.



Gentle Open and Close Door

The smart high quality hinge design means that opening and closing the oven door is smoother and quieter than ever.



Functions

- | | | |
|--------------------|------------------------------|--------------------------------|
| 3D Hot Air | Large Grill | Large Grill & Bottom Heater |
| Pizza System | Top & Bottom Heater | Grill With Bottom Heater & Fan |
| Air Fry | Gentle Bake | Oven Light |
| Grill with Hot Air | Top & Bottom Heater With Fan | |
| Turbo Bake | Large Grill With Fan | |

Automatic Modes

- Frozen Bake
- Auto Pizza Mode
- Slow Bake
- Air Fry

Extra Functions

- Aqua Clean
- Defrost
- Reheating
- Plate Warming

NEW



RO-E6523M-EB

- Super Size Capacity: 77lt
- 13 Functions
- 3D Circular Heating
- Push-Pull Rotary Knobs With Touch Control Panel
- Triple Glazed cool-to-touch Door
- Gentle Open and Close Door
- Dynamic Oven Cooling Plus (Reduce Temperature to 60°C)
- Click on Pull-Out Rail x 2
- Air Fry
- Gratin
- Fast Preheat
- EcoClean Enamel
- Temperature Setting: 50 °C - 300 °C
- Energy Efficiency Class: A

Accessories

Deep Baking Tray (1), Baking Tray (1), Airfry Tray (1), Wire Grid (1)

Overall Dimension W595 x D564 x H595 (mm)

Cut-out Dimension W560 x D550 x H590 (mm)

NEW



RO-E6513M-ES

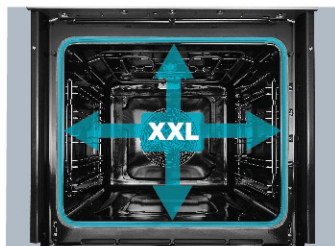
- Super Size Capacity: 77lt
- 13 Functions
- 3D Circular Heating
- Push-Pull Rotary Knobs With Touch Control Panel
- Double Glazed Oven Door
- Dynamic Oven Cooling Plus (Reduce Temperature to 60°C)
- Air Fry
- Gratin
- Fast Preheat
- EcoClean Enamel
- Temperature Setting: 50°C - 300°C
- Energy Efficiency Class: A

Accessories

Baking Tray (1), Airfry Tray (1), Wire Grid (1)

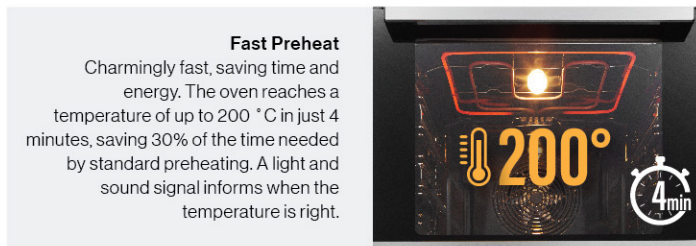
Overall Dimension W595 x D564 x H595 (mm)

Cut-out Dimension W560 x D550 x H590 (mm)



77lt Super Size Cavity

The 77lt extra-large cavity offers you extra space for flexible cooking. More spacious oven allows you to cook a larger quantity of food - 46cm wide baking trays.



Fast Preheat

Charmingly fast, saving time and energy. The oven reaches a temperature of up to 200 °C in just 4 minutes, saving 30% of the time needed by standard preheating. A light and sound signal informs when the temperature is right.

Air Fry
This method of baking gives the food a crispy crust, without added fat. It is a healthy version of "fast food" with a lower calorie content. Suitable for small cuts of meat, fish, vegetables and pre-prepared frozen products. Provided Airfry tray gives the best performance.



Aqua Assisted Cleaning

AquaClean offers great assistance in cleaning the oven cavity. All it takes is to pour half a litre of water into a baking tray and turn AquaClean on after each baking. This function is using bottom heater at 70°C in just 30 minutes. Stains and grease are softened and can be easily wiped away.

Functions

- Fast Preheat
- Intensive Baking (Air Fry)
- Large Grill
- Frozen Bake
- Aqua Clean
- Top & Bottom Heater With Fan
- 3D Hot Air
- Gentle Bake
- Defrost
- Large Grill With Fan
- Top & Bottom Heater
- Pizza System
- Oven Light



RO-E6208TA-EM

- Extra-large Capacity: 70lt
- 8 Functions
- 3D Circular Heating
- Mirror Reflective Glass With Stainless Steel Frame
- Temperature Setting: 60°C - 260°C
- Triple Glazed Removable Glass Door
- Rotary Knobs With Touch Control Panel
- Digital Timer With Auto End Cook
- Large Viewing Window
- Cooling Fan
- Rotisserie
- Energy Efficiency Class: A

- Conventional Heating
- Grill and Fan
- Upper Heater
- Defrost
- Bottom Heater and Fan
- Circular Hot Air
- Full Surface Grill
- Oven Light

Accessories

Deep Baking Tray (1), Baking Tray (1), Wire Grid (1), Rotisserie (1)

Overall Dimension W594 x D568.8 x H594 (mm)

Cut-out Dimension W558 x D550 x H595 (mm)



RO-E6206XA-EM

- Extra-large Capacity: 70lt
- 6 Functions
- Mirror Reflective Glass With Stainless Steel Frame
- Temperature Setting: 60°C - 260°C
- Triple Glazed Removable Glass Door
- Rotary Knobs With Electronic Display
- Digital Timer With Auto End Cook
- Large Viewing Window
- Cooling Fan
- Rotisserie
- Energy Efficiency Class: A

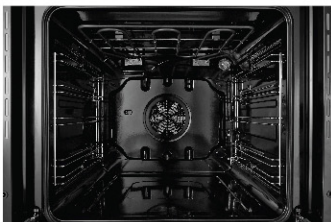
- Conventional Heating
- Fast Cooking
- Top Oven
- Full Surface Grill
- Fan Assisted Grill
- Oven Light

Accessories

Deep Baking Tray (1), Baking Tray (1), Wire Grid (1), Rotisserie (1)

Overall Dimension W594 x D568.8 x H594 (mm)

Cut-out Dimension W558 x D550 x H595 (mm)



Extra-Large Cavity

The 70lt extra-large cavity offers you extra space for flexible cooking.

3D Circular Fan

The circular heating distribute heat evenly so that you can cook different types of food on different shelves simultaneously without worrying that the smells and tastes will be transferred from one dish onto another.

*For RO-E6208TA-EM



Multifunction

Each function is designed to give you the most ideal cooking method to suit your recipe and to provide the best results. For e.g, Fan & Grill function ensure your large roast is being cooked through.



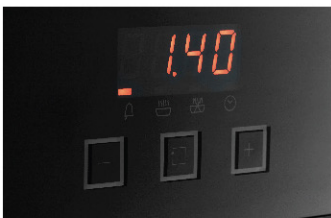
Removable Door

The glass door can be detached easily so that the oven cavity can be cleaned more easily and thoroughly.



Sensor Touch Timer

You can use the timer to count down the cooking time or program your oven to start/stop at a particular time. *For RO-E6208TA-EM



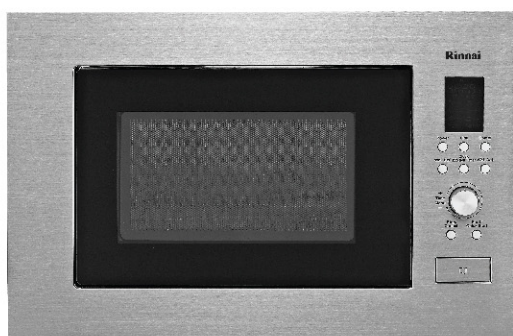
Measurements in mm.

* For bench top installation, minimum 5mm ventilation gap is required on both sides of appliance. If oven installed below a hob, minimum 30mm ventilation gap is required between hob and oven or refer to required distance instructed in the hob manufacturer's instruction manual. Follow the higher distance if in doubt.



RO-M2561-SM

- Combined Grill & Microwave
- Cavity size 25L
- 6 microwave power levels
- 8 auto cooking menus
- Quick start
- Speedy weight defrost
- Cooking end signal
- Rotary selector dial & Electronic Control
- Digital clock
- Child lock
- Easy to clean stainless steel frame and cavity
- Microwave power output: 1,400W
- Grill power: 1,000W
- ø 270mm glass turntable
- Grill rack (x1)

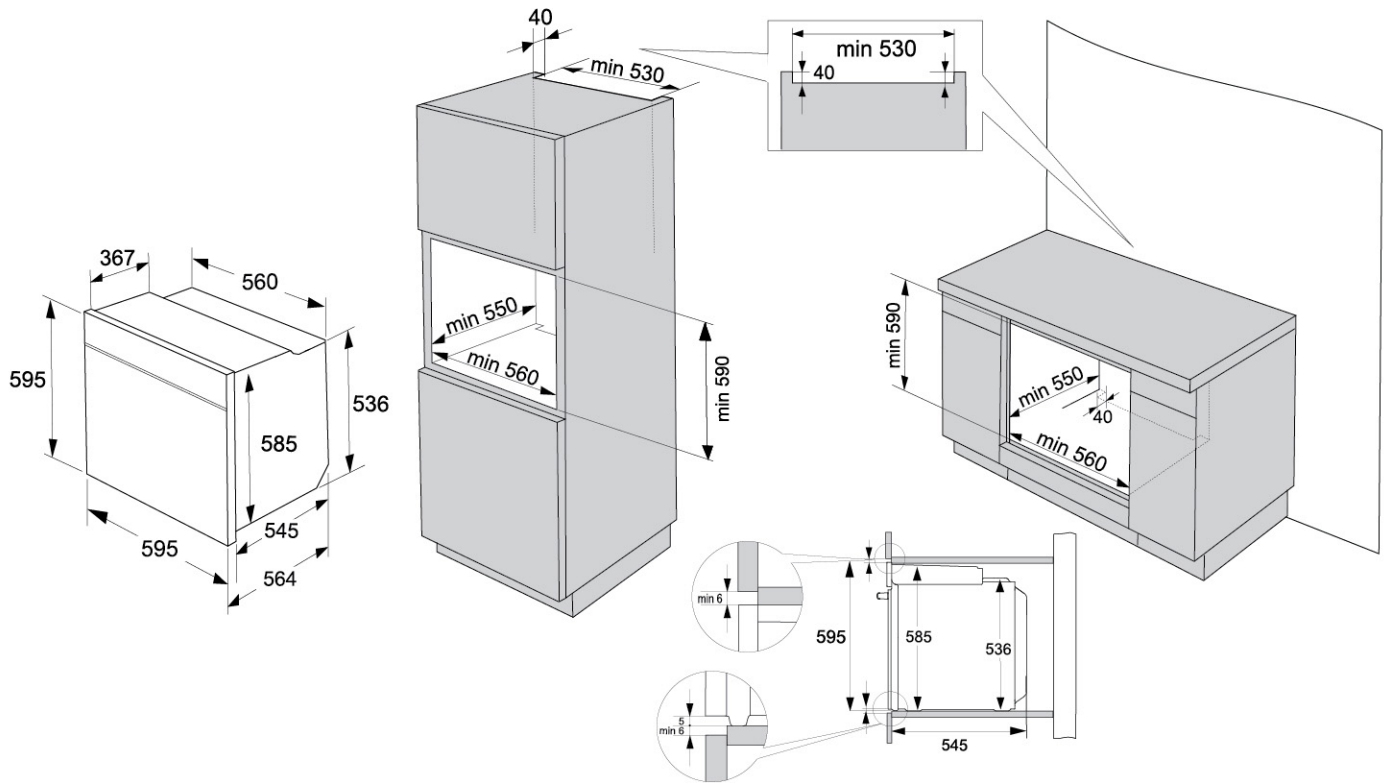


Overall Dimension W595 x D395 x H390 (mm)

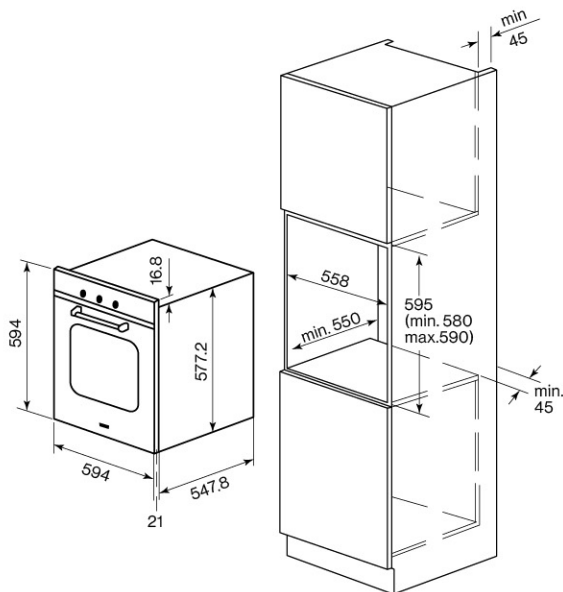
Cut-out Dimension W560 x D440 x H365 (mm)

Technical Diagram

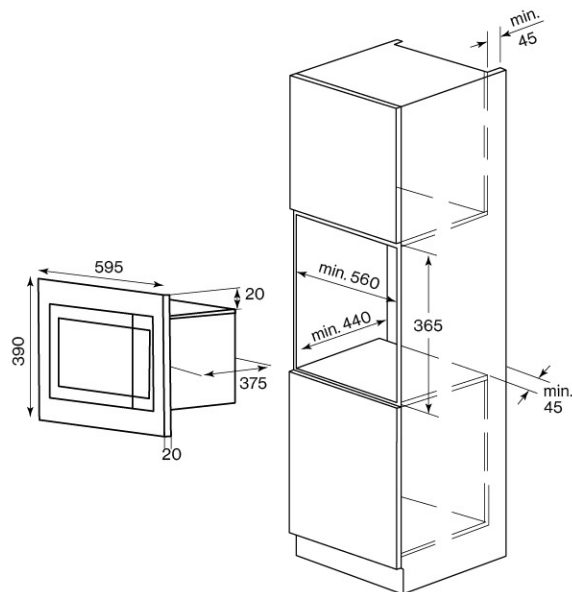
RO-E6533T-EB / RO-E6523M-EB / RO-E6513M-ES



RO-E6208TA-EM / RO-E6206XA-EM



RO-M2561-SM



Measurements in mm.

* For bench top installation, minimum 5mm ventilation gap is required on both sides of appliance. If oven installed below a hob, minimum 30mm ventilation gap is required between hob and oven or refer to required distance instructed in the hob manufacturer's instruction manual. Follow the higher distance if in doubt.

RINNAI HOLDINGS (PACIFIC) PTE LTD

61 Ubi Road 1 #02-20 & 21, Oxley Bizhub Singapore 408727

Tel 6748-9011 Fax 6745-9240

Website www.rinnai.sg

