



WATER HEATER GENERAL CATALOG

Rinnai

RINNAI HOLDINGS (PACIFIC) PTE LTD

61 Ubi Road 1 #02-20 & 21, Oxley Bizhub Singapore 408727

Tel 6748-9011 Fax 6745-9240

Website www.rinnai.sg



Scan for more details





Rinnai's Strengths

Guided by the keywords of "heat and living" and "health and living", we will utilize our accumulated heat energy and water control technologies to provide unique products and services.





About us

Rinnai's Corporate Message

Message from the President

Rinnai's Global Network

Brand Promise

Water Heating

Gas Instantaneous Water Heater (Domestic)

Gas Instantaneous Water Heater (Commercial)

Heat Pump Heater

Commercial Water Heating System

Electric Instantaneous Water Heater



Message from Rinnai

"Creating" Lifestyles

Rinnai's corporate mission is to provide society healthier and comfortable lifestyles through heat.

We will have a longer term view and be friendly to the earth's environment.

We promise that we will be flexible and keep challenging ourselves to achieve our corporate mission.

This is Rinnai's idea of "creating a healthier way of living."





Top message

We will continue to think about "lifestyle"


President Hiroyasu Naito



We want to provide comfortable lifestyles through heat. That was the wish behind Rinnai's foundation. Today we provide "comfortable lifestyle" in 80 countries and regions across the world. The product line up started from oil stove and developed to heating appliances, cooking appliances and hot water appliances.

The path was not easy, but we have never forgotten Rinnai's original flame of passion and always worked together in solidarity to face the various challenges of the times. We have a passion for endless innovation, sincere and honest manufacturing. We will keep thinking and innovating products to answer the potential needs of people in Japan and all over the world with these two fundamentals.

Japanese technology of gas instantaneous water heaters is improving lifestyles all over the world. Gas and electric hybrid water heaters with heating systems contribute positively to environmental and energy issues. In homes, gas clothes dryers and dish washers have reduced the burden of domestic chores. There are still many issues around the world such as climate change, health issues, and aging populations. We will continue to contribute to society by utilizing our core technology and having pride in manufacturing. With passion and sincerity, we want to improve people's lifestyles around the world as much as possible. We believe this is Rinnai's mission.



We strive to create products that are rooted in the lifestyles of each country across the world.

Starting with our first overseas subsidiary established in Taiwan in the 1970s, nowadays Rinnai have subsidiaries for manufacturing and selling across 17 countries and regions. Rinnai heat energy appliances are now spread to approximately 80 countries and regions across the world.

With the fundamental principle of producing and selling locally, Rinnai provides products and services that fit the living environment and climate of each country and also encourages hiring of local people.

This approach has gained a good reputation of the Rinnai brand in many different countries and regions. Rinnai today is a crucial to people's lives around the world. To contribute to improve life quality and local employment of each region is the idea for global expansion in Rinnai.



Rinnai America Corporation



Rinnai Australia Pty., Ltd.



Rinnai New Zealand Ltd.



Rinnai Italia S.r.l



Rinnai Brazil Heating Technology Ltd.



Shanghai Rinnai Co., Ltd.



Rinnai Taiwan Corporation



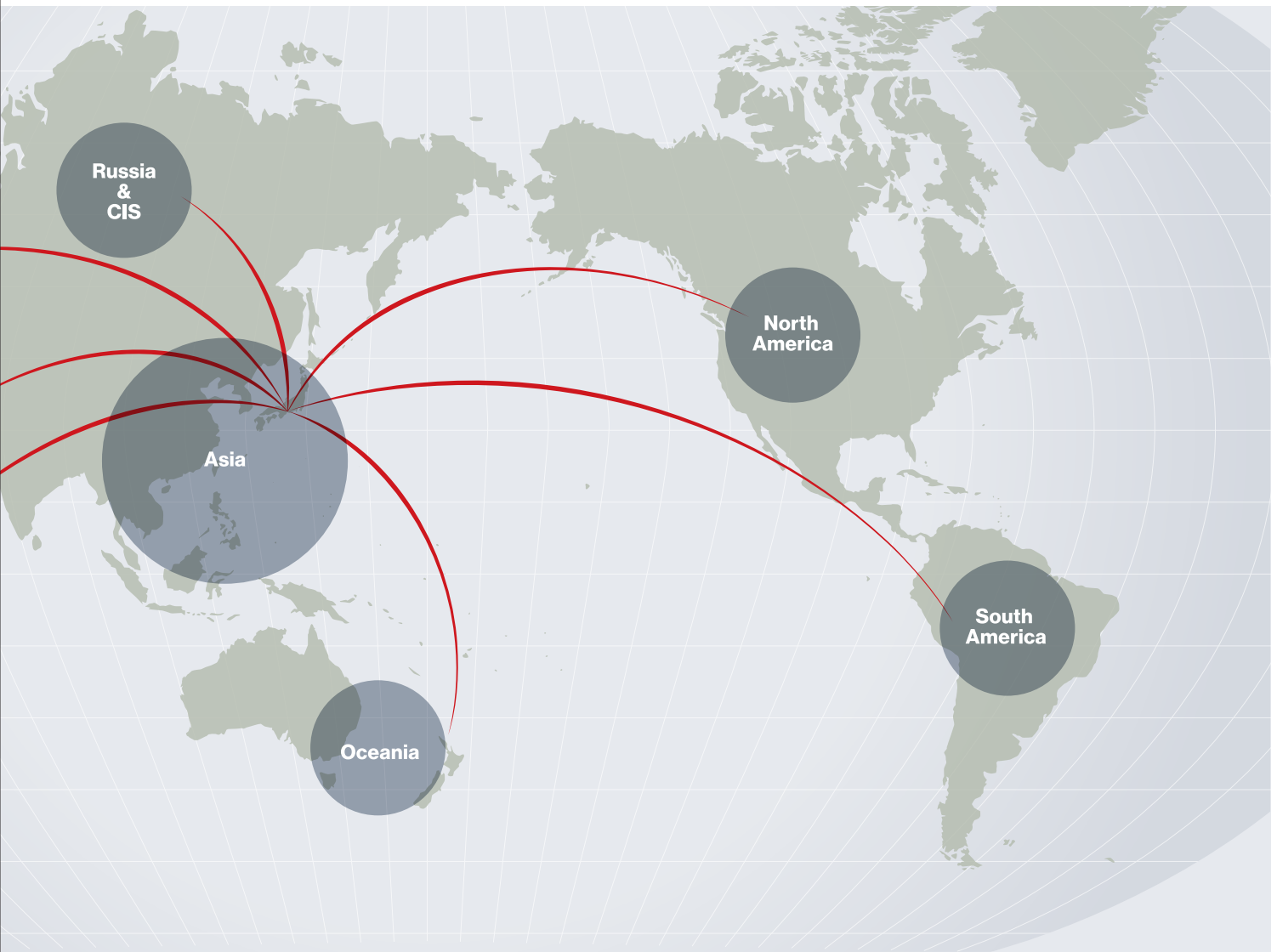
P.T. Rinnai Indonesia



Rinnai (Thailand) Co., Ltd.



Rinnai Korea Corporation



Russia
&
CIS

North
America

Asia

Oceania

South
America

Asia

Rinnai Holdings (Pacific) Pte Ltd.
Shanghai Rinnai Co., Ltd.
Rinnai Korea Corporation
P.T. Rinnai Indonesia
Rinnai Taiwan Corporation
Rinnai (Thailand) Co., Ltd.
Rinnai Viet Nam Co., Ltd.
Rinnai Manufacturing Malaysia Sdn. Bhd.
Rinnai Hong Kong Ltd.
Shanghai Rinnai Thermo Energy Engineering Co., Ltd.
Guangzhou Rinnai Gas and Electric Appliance Co., Ltd.
RB Korea Ltd.
Rinnai Plus Corp.
Rinnai (Malaysia) Sdn. Bhd.
RS Korea Ltd.
Shanghai RB Controls Co., Ltd.
Hainan Rinnai Minsheng Kitchen Appliances Sales Co., Ltd.
Mikuni RK Corporation

North America

Rinnai America Corporation
Rinnai Canada Holdings Ltd.

South America

Rinnai Brazil Heating Technology Ltd.

Oceania

Rinnai Australia Pty., Ltd.
Rinnai New Zealand Ltd.
Central Heating New Zealand Ltd.
Gas Appliance Services Pty., Ltd.

Europe

Rinnai UK Limited
Rinnai Italia S.r.l.
Rinnai Trading B.V.



"Quality is our destiny." That's all.

With heating appliances, even a small defect has the risk of leading to a major accident. That is why uncompromising quality is at the core of our spirit. We develop our core technologies in-house and have an integrated production system where the entire process from sourcing materials to pressing and final assembly takes place in the same factory, all for the sake of quality. We strive to have "zero defects," where we produce no defective products from development and production to the sales process and through to the end of customer use. In addition to not producing defects, we make sure to actively communicate how to use our products for "safety and peace of mind" because we believe that providing customers with healthy and comfortable lifestyles is part of the quality we hope to deliver.



品質こそ我らが命





Gas Instantaneous Water Heater Domestic	13
Gas Instantaneous Water Heater Commercial	18
Heat Pump Heater	20
Commercial Water Heating System	23
Electric Instantaneous Water Heater	27



Gas Instantaneous Water Heater

Domestic & Commercial



Features and Benefits

Never run out of hot water



With a Rinnai Gas Instantaneous Water Heater, you'll never have to choose between taking a piping hot shower, doing a load of laundry, or running the dishwasher.

Save valuable space



Small and mighty, the suitcase-sized wall units fit in tight, discrete spaces, freeing up more usable living area in your home. No more storing large quantities of water that could potentially leak on your floor.

Precise temperature control



Digital control panel allows for easy control of hot water temperatures at all times.

No energy used when no hot water is required



Unparalleled in performance, the unit only heats the water when you turn a tap on, conserving energy and reducing household running costs.



Model	REU-10RFM-RS	REU-1618W-RS	REU-2008W-RS
Features	<ul style="list-style-type: none"> • Highly Safe & Efficient • Endless Hot Water • Saves Time & Water • Multipoint connection 	<ul style="list-style-type: none"> • Highly Safe & Efficient • Endless Hot Water • Saves Time & Water • Multipoint connection 	<ul style="list-style-type: none"> • Highly Safe & Efficient • Endless Hot Water • Saves Time & Water • Multipoint connection
Gas Type	Town Gas	Town Gas	Town Gas
Type	Indoor	Outdoor	Outdoor
Application	Domestic	Domestic	Domestic
Max Hot Water Flow (Δ25deg)	8 L/min	16 L/min	20 L/min
Max Input	11.5 kW	35 kW	44 kW
Temperature Setting	37 - 50°C (Eco Mode 37 - 42°C)	37 - 50°C	37 - 50°C
Min Operating Water Flow	2.2 L/min	2.6 L/min	2.5 L/min
Min Operating Water Pressure	10 kPa	10 kPa	10 kPa
Rated Power	33 W (Stand-by > 1.5 W)	45 W (Stand-by > 8 W)	49 W (Stand-by > 8 W)
Dimension (W X D X H)	318 X 132 X 653 (mm)	350 X 170 X 600 (mm)	350 X 170 X 600 (mm)
Weight	10.8 kg	19 kg	19 kg
Water Fitting	R 1/2"	R 1/2"	R 3/4"
Gas Fitting	R 1/2"	R 3/4"	R 3/4"
Electrical Power	230V / 50Hz	230V / 50Hz	230V / 50Hz
Place of Manufacturing	Rinnai Shanghai	Rinnai Japan	Rinnai Japan
Remote Control	Built-In		



MC-601-A



MC-601-A





Model	REU-W1610WF-RS	REU-2024W-RS	REU-2024WF-RS
Features	<ul style="list-style-type: none"> • Highly Safe & Efficient • Endless Hot Water • Saves Time & Water • Multipoint connection 	<ul style="list-style-type: none"> • Highly Safe & Efficient • Endless Hot Water • Saves Time & Water • Multipoint connection 	<ul style="list-style-type: none"> • Highly Safe & Efficient • Endless Hot Water • Saves Time & Water • Multipoint connection
Gas Type	Town Gas	Town Gas	Town Gas
Type	Indoor	Outdoor	Indoor
Application	Domestic	Domestic	Domestic
Max Hot Water Flow (Δ25deg)	16 L/min	20 L/min	20 L/min
Max Input	35kW	39 kW	39 kW
Temperature Setting	37 - 50°C	37 - 55°C	37 - 55°C
Min Operating Water Flow	2.4 L/min	2.2 L/min	2.2 L/min
Min Operating Water Pressure	10 kPa	10 kPa	10 kPa
Rated Power	45 W (Stand-by > 8 W)	59 W (Stand-by > 7 W)	84 W (Stand-by > 7 W)
Dimension (W X D X H)	350 X 170 X 538 (mm)	380 X 172 X 673 (mm)	380 X 172 X 672 (mm)
Weight	16.5 kg	19.2 kg	18.3 kg
Water Fitting	R 1/2"	R 3/4"	R 3/4"
Gas Fitting	R 3/4"	R 3/4"	R 3/4"
Electrical Power	230V / 50Hz	230V / 50Hz	230V / 50Hz
Place of Manufacturing	Rinnai Japan	Rinnai Shanghai	Rinnai Shanghai
Remote Control	Built-In		



MC-195-RS



MC-195-RS





Model	REU-2024WP-RS	REU-2024WFP-RS	REU-A1620WD-GEN
Features	<ul style="list-style-type: none"> • Highly Safe & Efficient • Endless Hot Water • Saves Time & Water • Multipoint connection • Pre-heat Function with Timer 	<ul style="list-style-type: none"> • Highly Safe & Efficient • Endless Hot Water • Saves Time & Water • Multipoint connection • Pre-heat Function with Timer 	<ul style="list-style-type: none"> • Highly Safe & Efficient • Endless Hot Water • Saves Time & Water • Multipoint connection
Gas Type	Town Gas	Town Gas	LPG
Type	Outdoor / Built in Pump	Indoor / Built in Pump	Outdoor
Application	Domestic	Domestic	Domestic
Max Hot Water Flow (Δ25deg)	20 L/min	20 L/min	16 L/min
Max Input	39 kW	39 kW	34.4 kW
Temperature Setting	37 - 55°C	37 - 55°C	37 - 65°C
Min Operating Water Flow	2.2 L/min	2.2 L/min	1.5 L/min
Min Operating Water Pressure	10 kPa	10 kPa	10 kPa
Rated Power	76 W (Stand-by > 2.7 W)	100 W (Stand-by > 2.7 W)	43 W (Stand-by > 2 W)
Dimension (W X D X H)	423 X 205 X 696 (mm)	423 X 205 X 695 (mm)	356 X 182 X 503 (mm)
Weight	22.6 kg	21.8 kg	13.5 kg
Water Fitting	R 3/4"	R 3/4"	R 1/2"
Gas Fitting	R 3/4"	R 3/4"	R 3/4"
Electrical Power	230V / 50Hz	230V / 50Hz	220 - 240V / 50-60Hz
Place of Manufacturing	Rinnai Shanghai	Rinnai Shanghai	Rinnai Japan

Remote Control



MC-195T-RS



MC-195T-RS



MC-601-A





Model	REU-A2626WD-GEN
--------------	------------------------

Features

- Highly Safe & Efficient
- Endless Hot Water
- Saves Time & Water
- Multipoint connection

Gas Type	LPG
Type	Outdoor
Application	Domestic
Max Hot Water Flow (Δ25deg)	26 L/min
Max Input	55.3 kW
Temperature Setting	37 - 65°C
Min Operating Water Flow	1.5 L/min
Min Operating Water Pressure	10 kPa
Rated Power	62 W (Stand-by > 2 W)
Dimension (W X D X H)	356 X 182 X 503 (mm)
Weight	15.5 kg
Water Fitting	R 3/4"
Gas Fitting	R 3/4"
Electrical Power	220 - 240V / 50-60Hz
Place of Manufacturing	Rinnai Japan

Remote Control



MC-601-A





Model	REU-16FEKC-RS	REU-24FEJ-RS	REU-W2406WC-RS
Features	<ul style="list-style-type: none"> • Highly Safe & Efficient • Endless Hot Water • High Durability for Heavy Usage • Reduces Carbon Emissions 	<ul style="list-style-type: none"> • Highly Safe & Efficient • Endless Hot Water • High Durability for Heavy Usage • Reduces Carbon Emissions 	<ul style="list-style-type: none"> • Highly Safe & Efficient • Endless Hot Water • High Durability for Heavy Usage • Reduces Carbon Emissions
Gas Type	Town Gas	Town Gas	Town Gas
Type	Indoor	Indoor	Outdoor
Application	Commercial	Commercial	Commercial
Max Hot Water Flow (Δ25deg)	16 L/min	24 L/min	24 L/min
Max Input	31.5 kW	52.3 kW	51 kW
Temperature Setting	60 / 70 / 80°C	42 / 60 / 75 / 85°C	42 / 60 / 75 / 85°C
Min Operating Water Flow	2.4 L/min	2.4 L/min	2.7 L/min
Min Operating Water Pressure	10 kPa	10 kPa	10 kPa
Rated Power	69 W	88 W	59 W (Stand-by > 5.5 W)
Dimension (W X D X H)	354 X 162 X 629 (mm)	380 X 172 X 672 (mm)	350 X 170 X 600 (mm)
Weight	15 kg	18.5 kg	19 kg
Water Fitting	R 1/2"	R 3/4"	R 3/4"
Gas Fitting	R 3/4"	R 3/4"	R 3/4"
Electrical Power	230V / 50Hz	230V / 50Hz	230V / 50Hz
Place of Manufacturing	Rinnai Shanghai	Rinnai Shanghai	Rinnai Japan



Model	REU-VCM2837WC-GEN	REU-VCM2837FFC-GEN	REU-VRM3237WC-ASN
Features	<ul style="list-style-type: none"> • Highly Safe & Efficient • Endless Hot Water • High Durability for Heavy Usage • Reduces Carbon Emissions 	<ul style="list-style-type: none"> • Highly Safe & Efficient • Endless Hot Water • High Durability for Heavy Usage • Reduces Carbon Emissions 	<ul style="list-style-type: none"> • Highly Safe & Efficient • Endless Hot Water • High Durability for Heavy Usage • Reduces Carbon Emissions
Gas Type	LPG	LPG	LPG
Type	Outdoor	Indoor	Outdoor
Application	Commercial	Commercial	Commercial
Max Hot Water Flow (Δ25deg)	28 L/min	28 L/min	32 L/min
Max Input	58.4 kW	58.4 kW	70 kW
Temperature Setting	40 - 85°C	40 - 85°C	42 - 85°C
Min Operating Water Flow	1.5 L/min	1.5 L/min	2.4 L/min
Min Operating Water Pressure	10 kPa	10 kPa	10 kPa
Rated Power	65 W (Stand-by > 2 W)	97 W (Stand-by > 2 W)	65 W (Stand-by > 2 W)
Dimension (W X D X H)	357 X 236 X 693 (mm)	357 X 235 X 693 (mm)	470 X 220 X 600 (mm)
Weight	20 kg	21 kg	29 kg
Water Fitting	R 3/4"	R 3/4"	R 3/4"
Gas Fitting	R 3/4"	R 3/4"	R 3/4"
Electrical Power	220 - 240V / 50Hz	220 - 240V / 50Hz	220 - 240V / 50Hz
Place of Manufacturing	Rinnai Japan	Rinnai Japan	Rinnai Japan

A photograph of a woman with long brown hair drying a young child's hair with a white towel. The woman is smiling and looking down at the child. The child is also smiling and looking down. The background is a blurred indoor setting, possibly a bathroom. A large red triangle is in the top left corner of the page.

Heat Pump Heater

Features and Benefits

- Energy Efficient - Heat is generated by drawing on existing heat from the surrounding air, resulting in lower running cost
- COP:4 (coefficient of performance)
- Green Energy - Heat pumps are more energy efficient because they harvest heat from the environment, thus reducing greenhouse gas emissions.
- Simple Maintenance



Model	RSJ-800/SZN1-H	RSJ-420/SZN1-H	RSJ-200/SZN1-540V1	RSJ-120/ZN1-540V1
Power Supply	415V/ 3ph / 50Hz	415V/ 3ph / 50Hz	415V/ 3ph / 50Hz	240V/ 1ph / 50Hz
Heating Capacity	80 kW	40 kW	20 kW	12 kW
Rated Power Input	20 kW	10 kW	5 kW	3 kW
Outlet Temperature	44 - 60°C	44 - 60°C	44 - 60°C	44 - 60°C
COP	4	4	4	4
Max Power Input	26.0 kW	14.5 kW	7.8 kW	3.7 kW
Max Current	45 Amp	24 Amp	13.3 Amp	18 Amp
Compressor Type	Scroll	Scroll	Scroll	Scroll
Outdoor Fan Type	Axial Fan	Axial Fan	Axial Fan	Axial Fan
Outdoor Fan Airflow	≥25,000 m3/h	≥12,000 m3/h	≥5,500 m3/h	≥5,500 m3/h
Air Side Heat Exchanger	Finned Tube	Finned Tube	Finned Tube	Finned Tube
Water Side Heat Exchanger	Double-pipe Heat Exchanger	Double-pipe Heat Exchanger	Double-pipe Heat Exchanger	Double-pipe Heat Exchanger
Hot Water Yield	1.72 m³/h	0.85 m³/h	0.45 m³/h	0.25 m³/h
Water Connection	50 mm	32 mm	25 mm	25 mm
Refrigerant Type	R410A	R410A	R410A	R410A
Noise Level	68 dB(A)	66 dB(A)	63 dB(A)	59 dB(A)
Dimension (W X D X H)	1995 X 1025 X 1770 (mm)	1015 X 1026 X 1775 (mm)	790 X 810 X 1100 (mm)	790 X 810 X 1100 (mm)
Weight	599 kg	323 kg	154 kg	113 kg

Google Singapore
Centralized Gas Hot Water System



Mercure Hotel Singapore
Hybrid System of EHP +
Gas Centralized Hot Water System



Fort Canning Hotel
Centralized Gas Hot Water System



City Energy Pte Ltd
Hybrid solar +
Gas Heater Hot Water System



Resorts World Sentosa
Centralized Gas Hot Water System



Mount Elizabeth Hospital
Hybrid System of EHP +
Gas Centralized Hot Water System



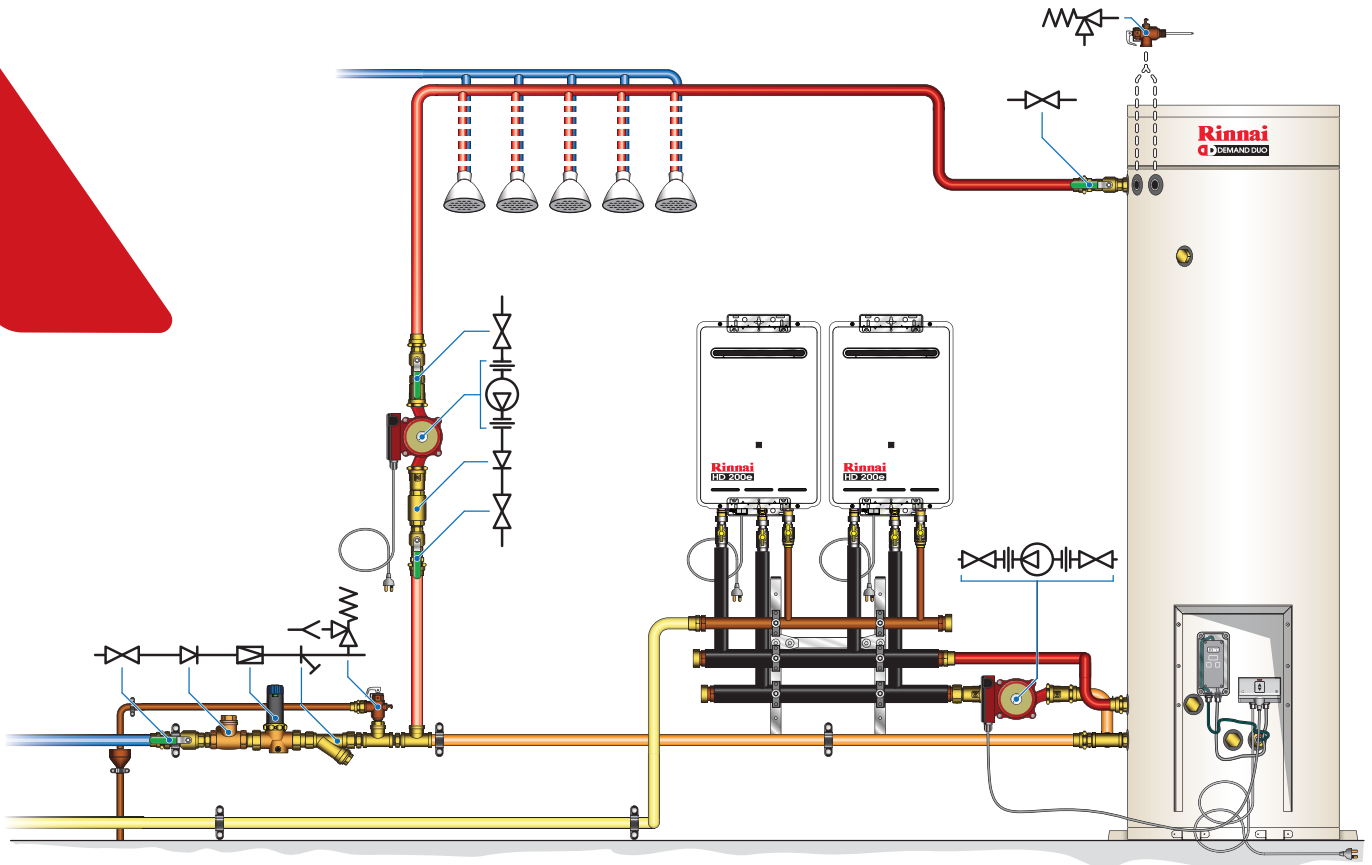


Commercial Water Heating System

Continuous Flow With Storage Backup

Total water drawn during the day's peak is known but the rate of water use varies.

For example, central hot water systems for hotels, motels and apartment blocks.



Demand DUO

Combines the benefits of continuous flow and storage systems. High output and minimal storage losses without limiting peak flow rate.

Hot water demand for accommodation is at a maximum for periods of one or two hours each day.

The Rinnai Infinity Heavy Duty continuous flow water heaters can supply the base load during the peak times.

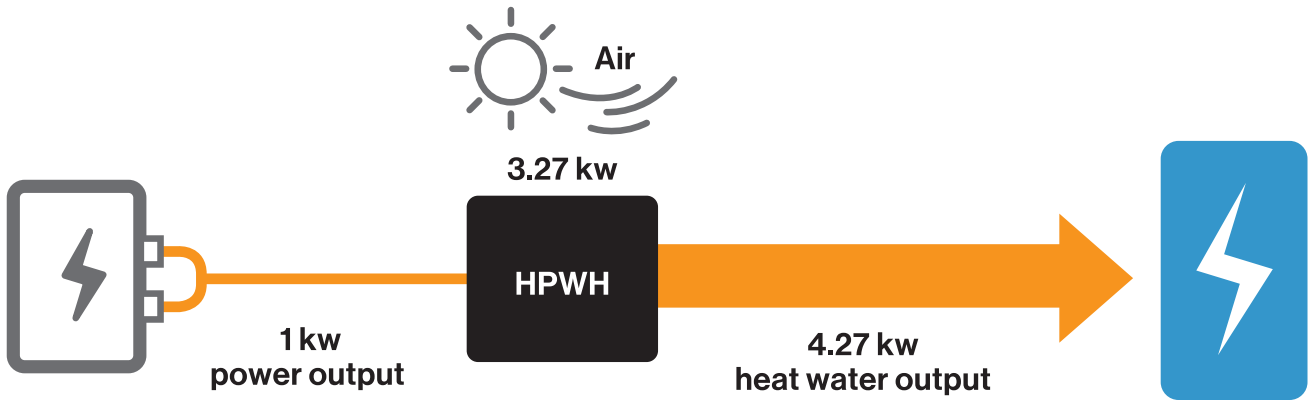
Matched storage capacity cover exceptional demands during the peak times.

- Lower capital cost system with lower gas input
- Inbuilt redundancy through multiple heating units
- More cost effective and easier to maintain than cumbersome boiler systems, the Rinnai Demand Duo system is perfect for:
 - Hotels and motels
 - Apartment blocks
- Compatible with circulating ring mains
- Suitable for warm water circulation (<55oC) with UV sterilizers

Cost Effective Installation

- Pre-constructed skids roll or lower into place
- Reduced installation times
- System warranty
- Connect multiple skids in parallel for larger systems
- Storage can be located remotely from water heating units



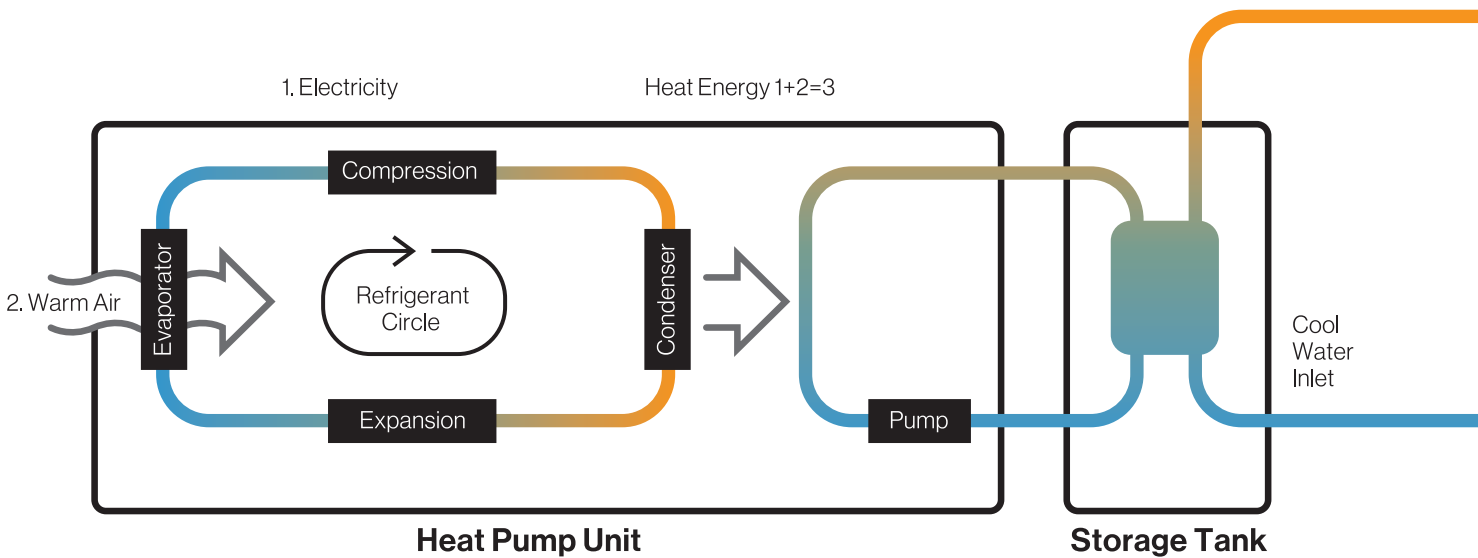
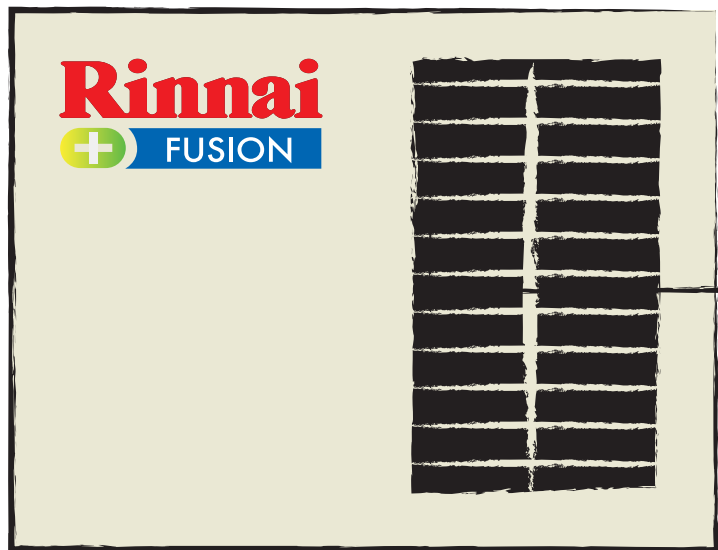


Air Source Heat Pump Service

Heat pumps offer the most energy-efficient way to provide heating and cooling in many applications, as they can use renewable heat sources in our surroundings.

Even at temperatures we consider to be cold, air, ground and water contain useful heat that's continuously replenished by the sun.

Air source heat pump draw heat from outside air during the heating season and reject heat outside during the summer cooling season.





ELECTRIC



GAS ENERGY

Hybrid Hot Water System



Gas Water Heater

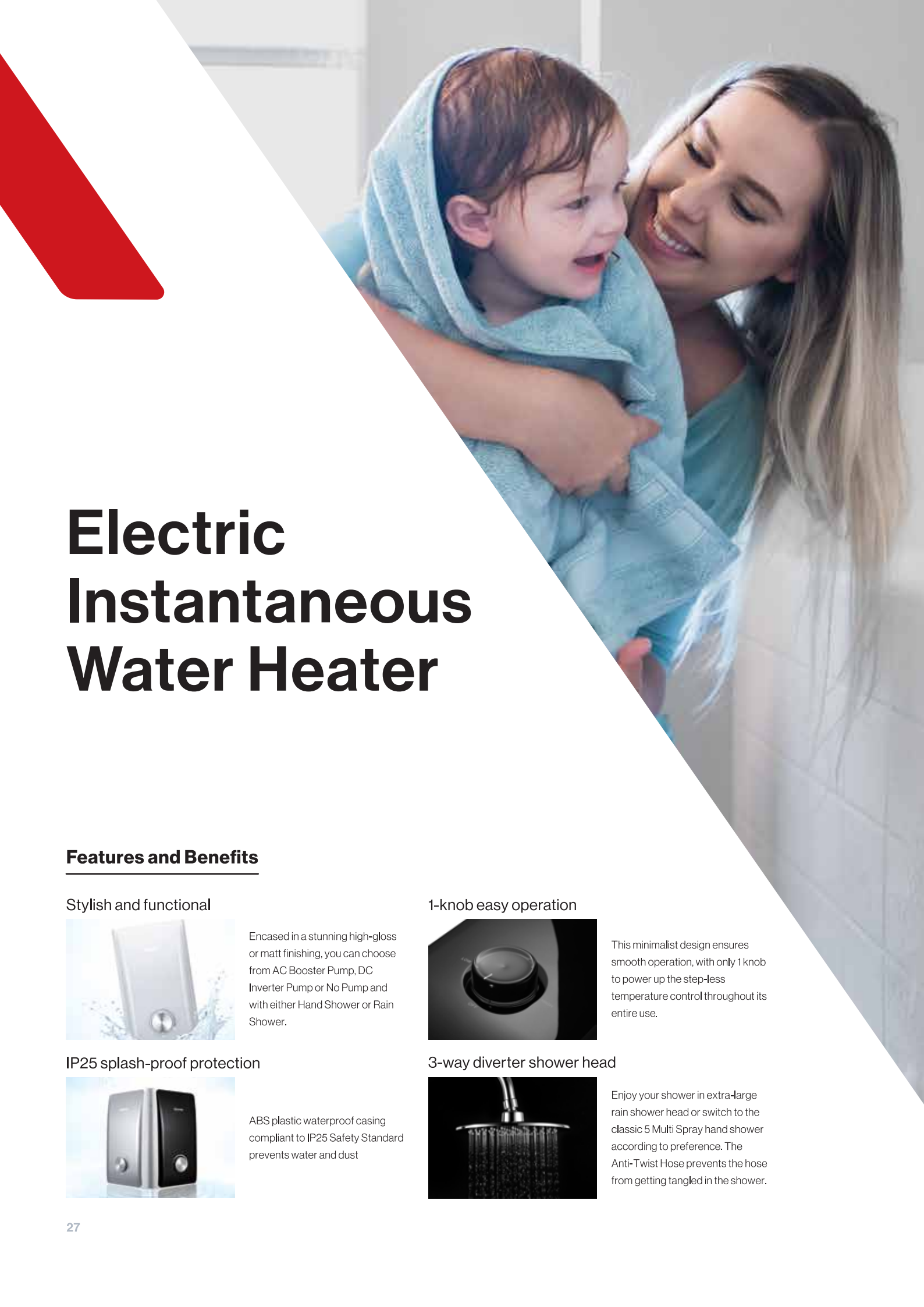
WHAT IS RINNAI HEAVY DUTY CONTINUOUS FLOW?

The continuous flow is a hot water system that will never run out, providing a constant outlet temperature at all times. Rinnai Heavy Duty (HD) water heaters are a high efficiency gas continuous flow water heater with minimum 5 Star energy rating which ensures minimal gas consumption.

All models have full electronic ignition with no pilot light and operating on demand only, consuming no gas when not in use.

WHAT ARE SOME SUITABLE APPLICATIONS?

- Cafés
- Hair Dressing Salons
- Butchers
- Child Care Centres
- Hotels
- Small Amenities Blocks
- Factories
- Laundromats with domestic style top loader machines
- Fitness Centres
- Convention Centres



Electric Instantaneous Water Heater

Features and Benefits

Stylish and functional



Encased in a stunning high-gloss or matt finishing, you can choose from AC Booster Pump, DC Inverter Pump or No Pump and with either Hand Shower or Rain Shower.

1-knob easy operation



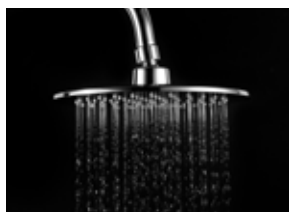
This minimalist design ensures smooth operation, with only 1 knob to power up the step-less temperature control throughout its entire use.

IP25 splash-proof protection



ABS plastic waterproof casing compliant to IP25 Safety Standard prevents water and dust

3-way diverter shower head

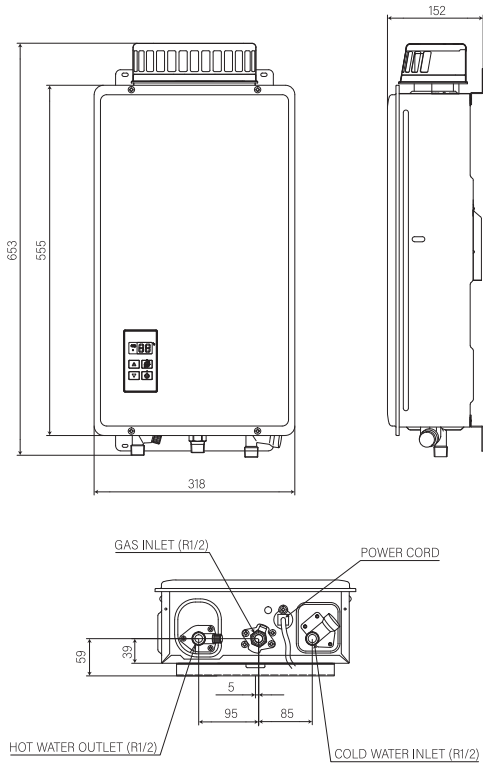


Enjoy your shower in extra-large rain shower head or switch to the classic 5 Multi Spray hand shower according to preference. The Anti-Twist Hose prevents the hose from getting tangled in the shower.

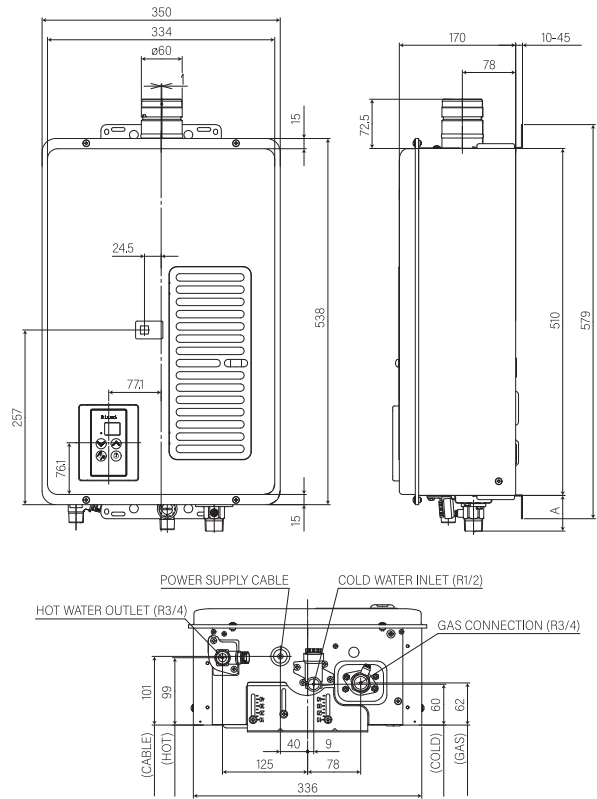


Model	REI-A330NP/DP	REI-B330NP/DP	REI-C330NP
Features	<ul style="list-style-type: none"> • LED Illumination • 1-Knob Easy Operation • 5 Multi Spray Handshower • Anti-Twist Hose • Extra Large Rainshower Head (Rainshower Model) • DCSilent (Inverter) Pump (DP Model) • Dual Over Temperature Safety Cut-Off • IP25 Splash-proof Protection • Auto Flow Sensor Switch 	<ul style="list-style-type: none"> • 1-Knob Easy Operation • 5 Multi Spray Handshower • Anti-Twist Hose • Extra Large Rainshower Head (Rainshower Model) • DCSilent (Inverter) Pump (DP Model) • Dual Over Temperature Safety Cut-Off • IP25 Splash-proof Protection • Auto Flow Sensor Switch 	<ul style="list-style-type: none"> • 1-Knob Easy Operation • 5 Multi Spray Handshower • Super Hi-Gloss Finishing • Plastic Resin added UV - Prevent White Turn Yellowish • Dual Over Temperature Safety Cut-Off • IP25 Splash-proof Protection • Auto Flow Sensor Switch
Rated Power	3.3 kW	3.3 kW	3.3 kW
Color	Metallic Silver Piano Black Moonlight White	Space Grey Diamond Black Liquid Silver	Black Silver White
Water Temperature Control	Electronic Power Control	Electronic Power Control	Electronic Power Control
Min Operating Water Flow	2.0 L/min	2.0 L/min	2.0 L/min
Min Pressure	20 kPa	20 kPa	20 kPa
Max Pressure	380 kPa	550 kPa	380 kPa
Current Rated	15 Amp	15 Amp	15 Amp
Electrical Power	230V / 50Hz	230V / 50Hz	230V / 50Hz
Showerhead	Rain Shower / Sliding Rail	Rain Shower / Sliding Rail	Sliding Rail
Dimension (W X D X H)	220 X 87 X 390 (mm)	221 X 98 X 418 (mm)	250 X 95 X 284 (mm)
Weight (No Pump / Handshower)	3.3 kg	2.8 kg	2.3 kg

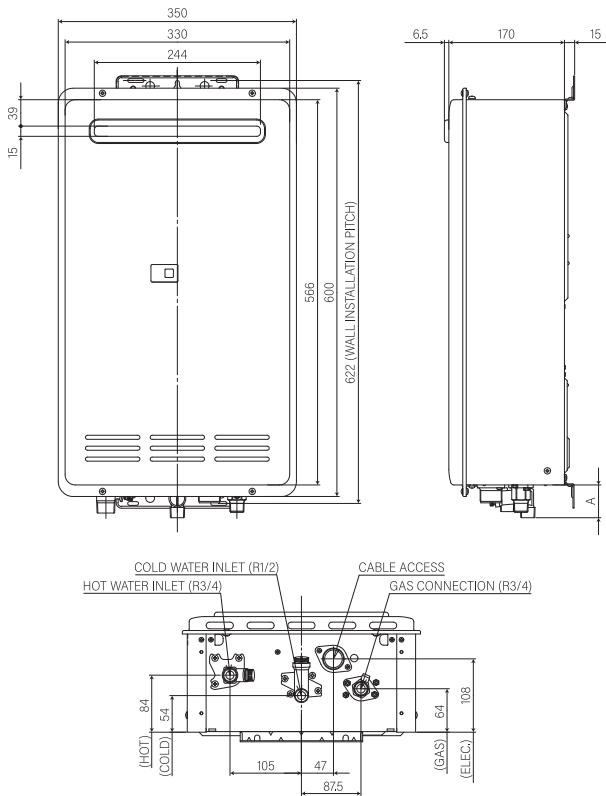
REU-10RFM-RS



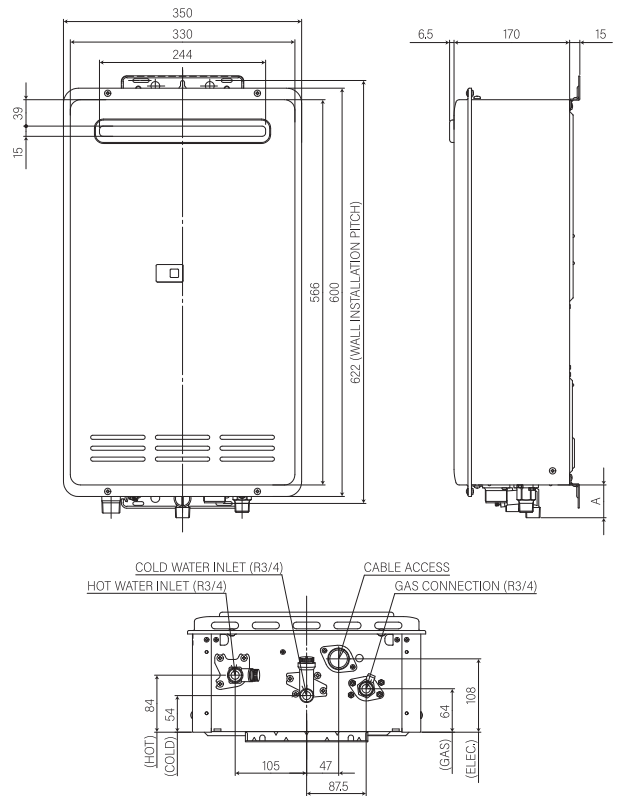
REU-W1610WF-RS



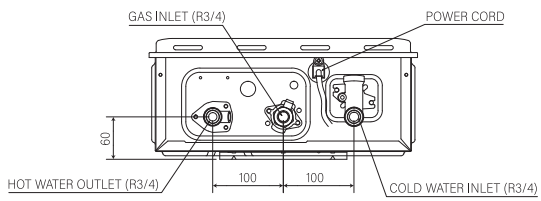
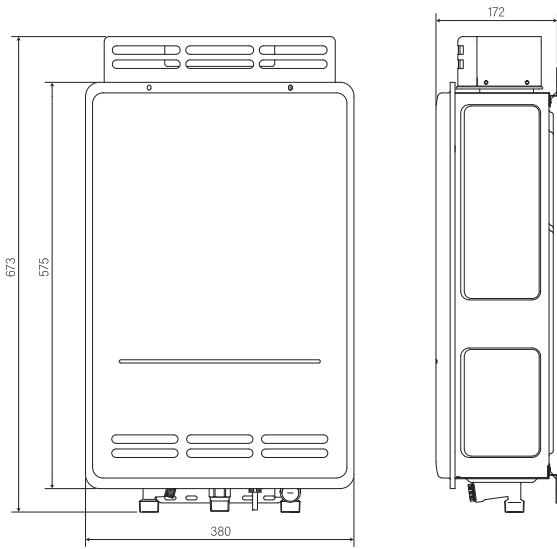
REU-1618W-RS



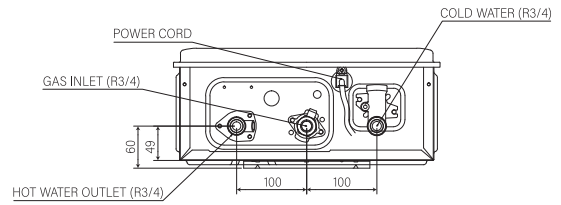
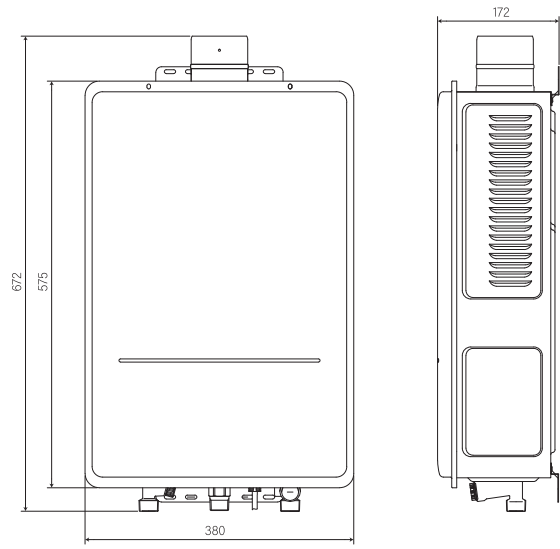
REU-2008W-RS



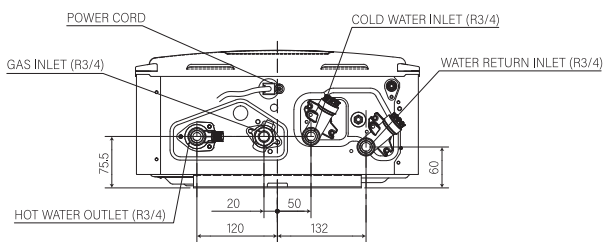
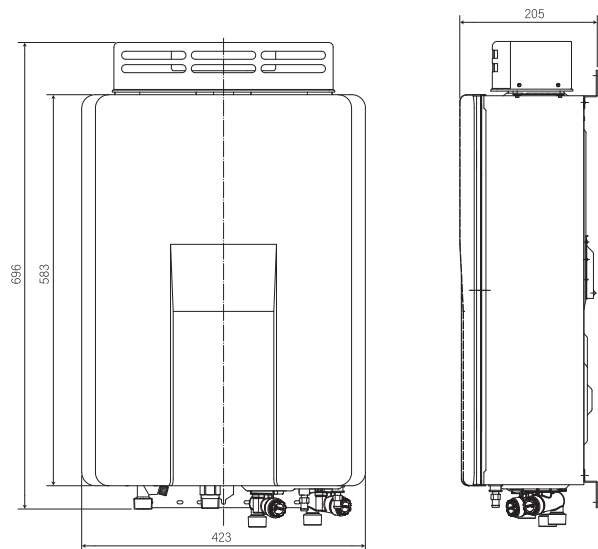
REU-2024W-RS



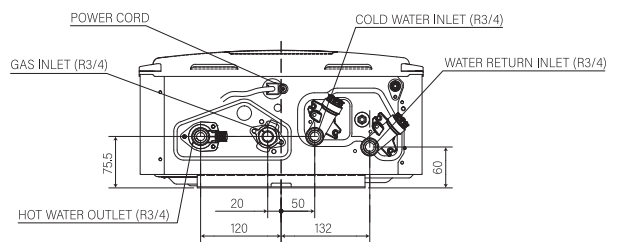
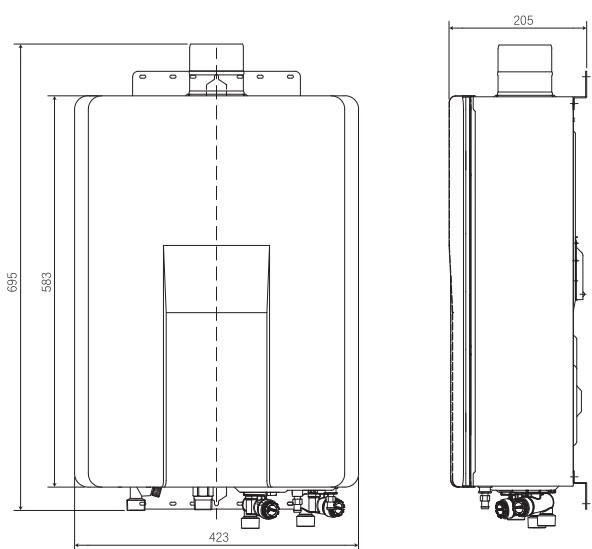
REU-2024WF-RS



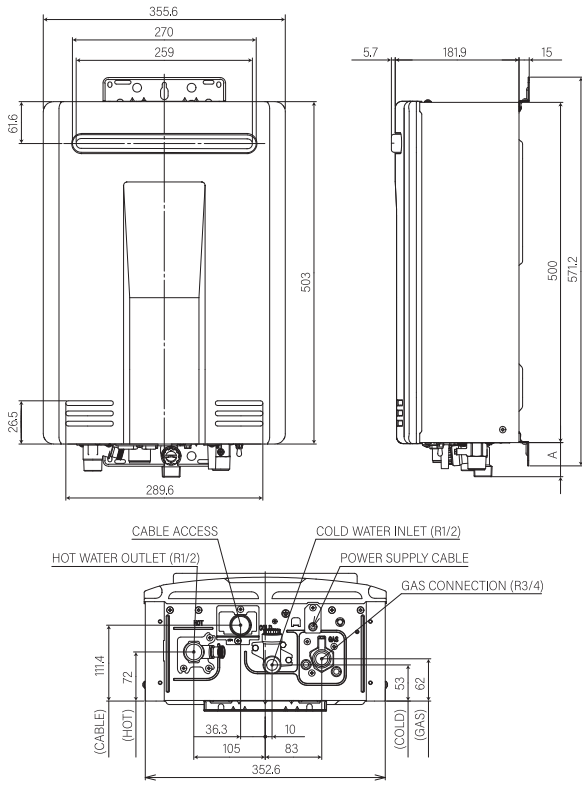
REU-2024WP-RS



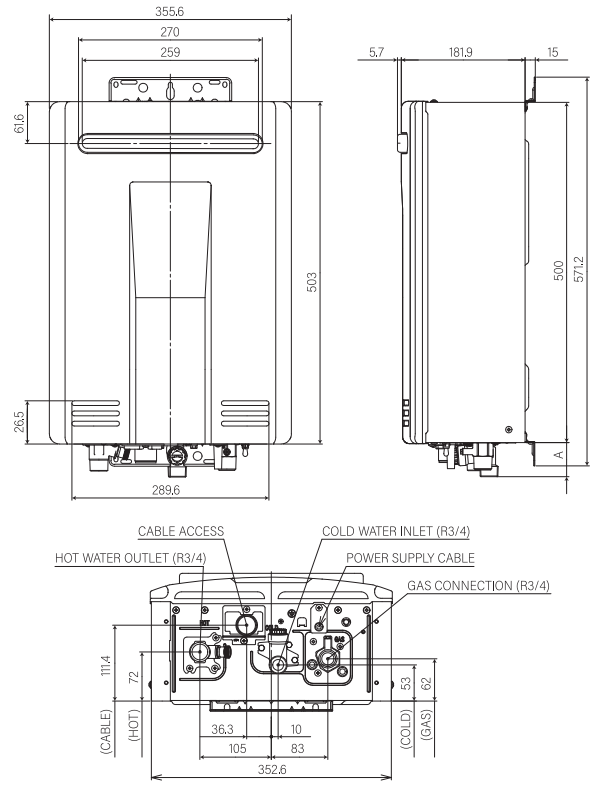
REU-2024WFP-RS



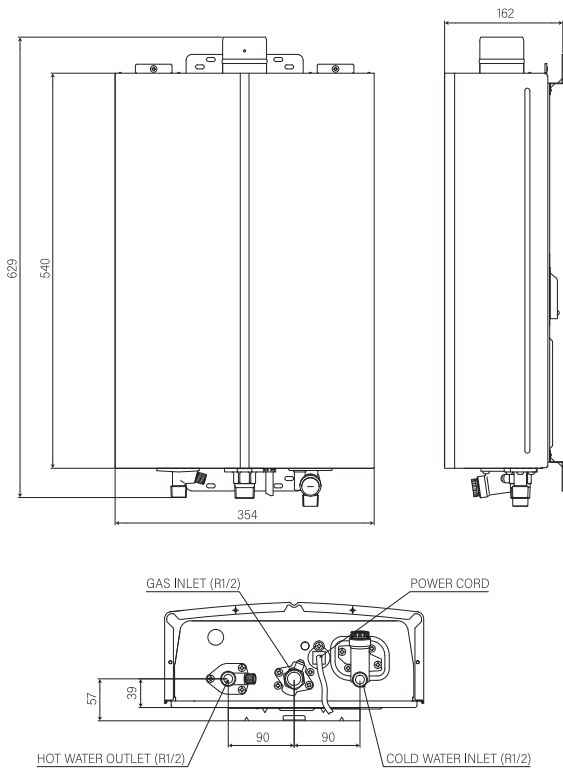
REU-A1620WD-GEN



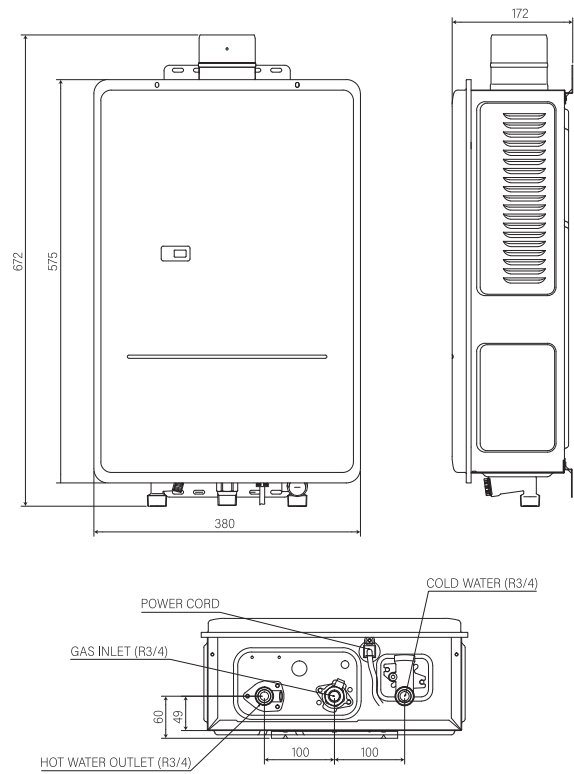
REU-A2626WD-GEN



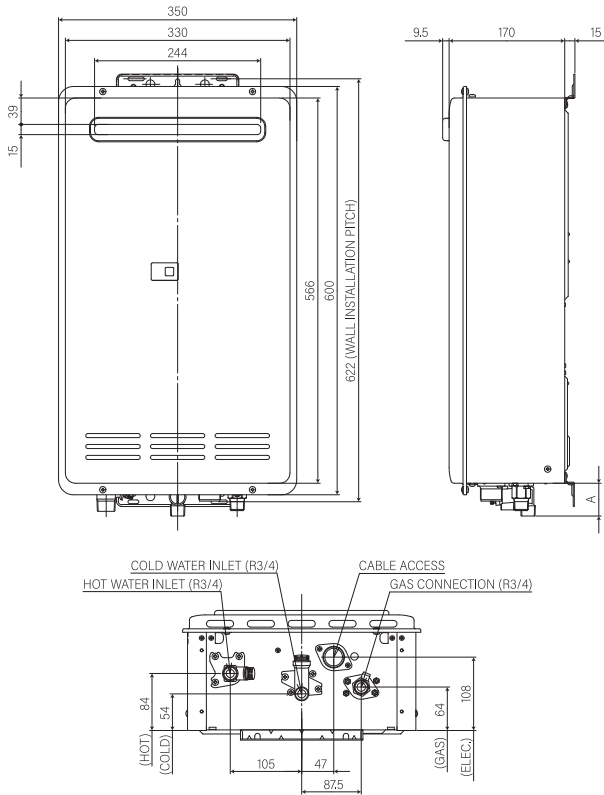
REU-16FEKC-RS



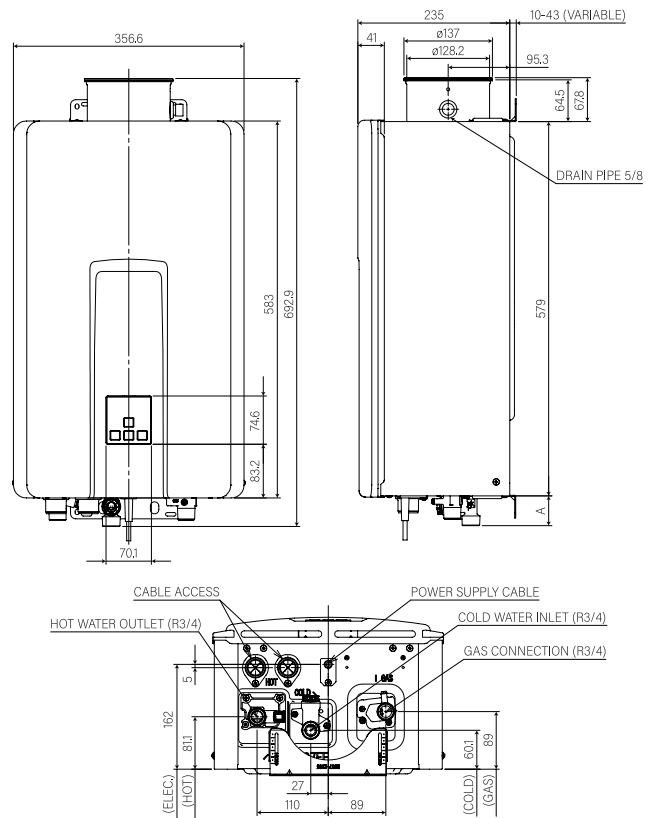
REU-24FEJ-RS



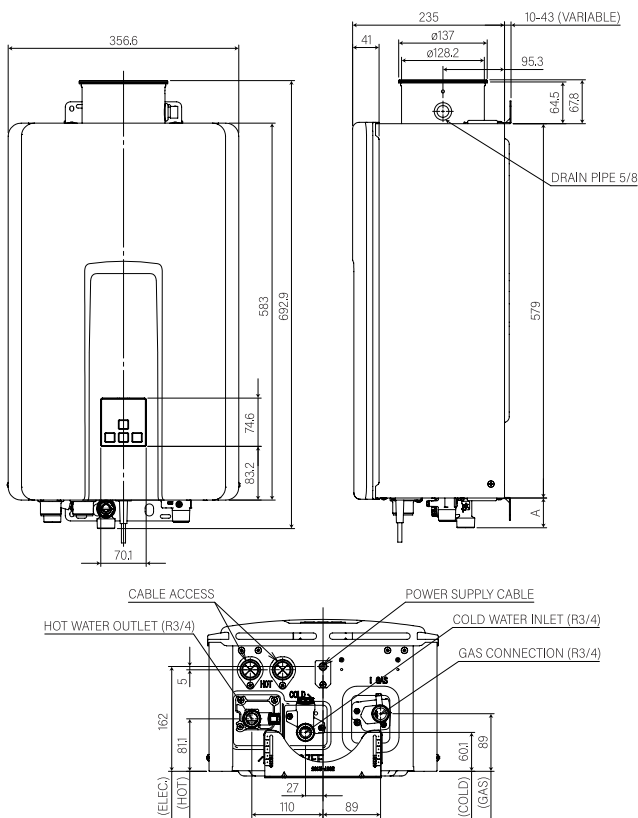
REU-W2406WC-RS



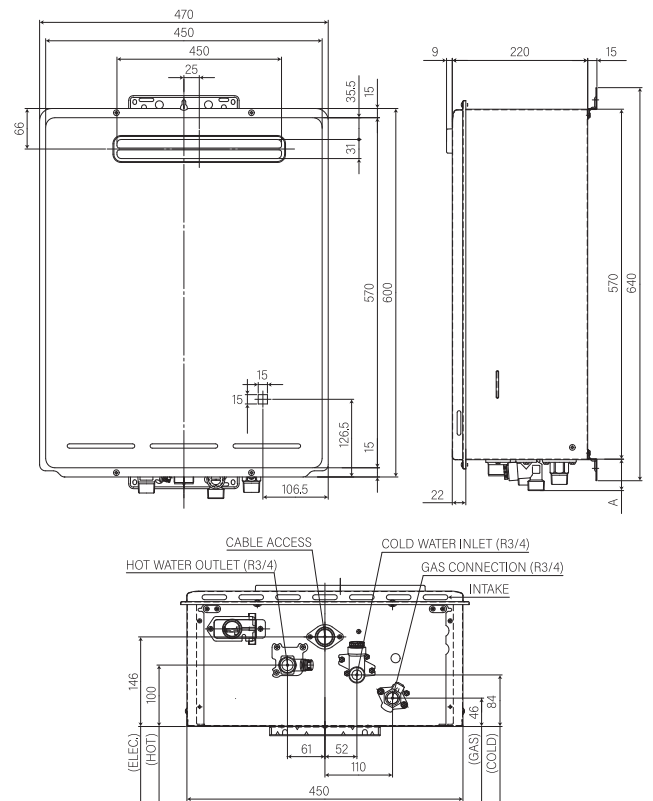
REU-VCM2837WC-GEN



REU-VCM2837FFC-GEN



REU-VRM3237WC-ASN



NOTES

