

Rinnai

Operation / Installation Manual

操作 / 安装说明

Petunjuk Pemakaian / Pemasangan

Hoạt động / Hướng dẫn lắp đặt

คู่มือการติดตั้ง/การใช้งาน

Chimney Hood

塔形烟机

Tudung Hisap

Máy Hút Khói Mùi – Dòng Chimney

เครื่องดูดควันชนิดกระโจมติดผนัง

RH-C209-GCR

RH-C209-GCV

Rinnai Corporation

English

中文

Bahasa Indonesia

Tiếng Việt

ภาษาไทย

TABLE OF CONTENTS

English	Page 1 - 7
中文	8 - 14 页
Bahasa Indonesia	Hal. 15-21
Tiếng Việt	Trang 22 - 28
ภาษาไทย	หน้า 29 - 35

CONTENTS

Safety warnings	1
Specifications & components	3
Installation	4
Operation	5
Maintenance and care	6
Troubleshoot	7



IMPORTANT

To register your product warranty, please paste the serial numbers stickers enclosed with the packaging on your warranty card. Please contact your local Rinnai Customer Care Centre should you require further assistance.

SAFETY WARNINGS

Please read this user manual thoroughly before attempting to use this appliance for the first time. This manual contains important information on safe installation, use and care of the appliance. Keep these instructions for reference and pass them on to future user.

Unpacking

- Do not use the appliance if there are obvious signs of transportation damage.
- If the power supply cord is damaged, it must be replaced by the manufacturer, its service agent or qualified technician to avoid hazard.
- Please ensure that young children do not play with plastic bag packaging.

For the installer

- The extractor hood can be installed over gas and electric cook top. Minimum installation height from the bench top to the bottom of the hood is 700mm (gas range) and 550mm (electric range) (Fig. 1).

For the user

- The extractor hood is designed for domestic use to eliminate unpleasant odors from the kitchen. Do not use the hood for uses other than its specific purpose.
- Do not allow young children to play with or operate the appliance. Supervise its use by the elderly or infirm.
- Installation and repair should be attempted by qualified technical personnel only.
- It is dangerous to modify any part of this appliance. Tampering with electrical connections or mechanical parts can cause operation faults and may put the user at risk.
- Never leave high naked flames under the extractor hood when it is in operation. Always cover lit burners with cookware.

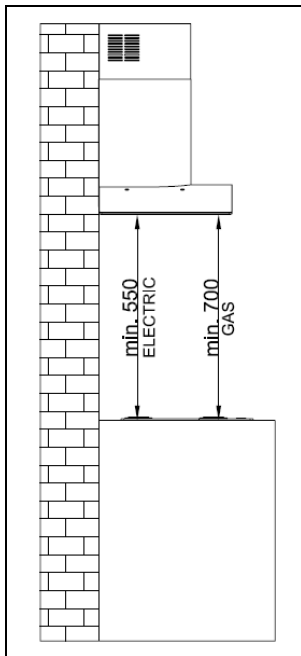


Fig. 1

- Always mount the extractor hood over the center of the hob.
- Ensure that the appliance is installed in a location with good and permanent ventilation.
- When making the electrical connections, check that
 - The mains voltage and frequency corresponds to the technical information shown on the rating plate.
 - Electrical connection must be made in accordance to local standards only. Check that the voltage in your area is correct before plugging in.
- Use an electrical connector with earth that is correct for your location. The electrical connection of this appliance must be connected to earth (*where applicable*):
 - Green & Yellow = EARTH; Blue = NEUTRAL; Brown = LIVE
- Ducted mode:
 - Connect the extractor hood to the exhaust duct through a pipe of minimum $\text{Ø}120\text{mm}$. Use the shortest and straightest duct route possible.
 - Do not connect the extractor hood to exhaust ducts carrying combustion fumes.
 - Arrange proper ventilation if the extractor hood is used in conjunction with other appliances which are not supplied by electrical power e.g. gas burning appliances. The kitchen must have a direct opening to the outside in order to allow entry of fresh air.

Note: The manufacturer accepts no responsibility for complaints attributed to the design and layout of the pipe work.

- Do not flambé or grill with an open flame directly under the extractor hood. Flames could be drawn up into the hood by the suction and the grease filters may catch fire.
- Monitor cooking continuously as overheated oil increases the risk of self-ignition.
- Do not operate the extractor hood without a grease filter.
- It is important to clean and/or replace the filters at appropriate intervals.
- Grease deposits build-up increases the risk of fire.
- Always disconnect the unit from the power supply before carrying out any cleaning or maintenance work on the hood.
- Ensure that the power supply chord is free from any heat source or sharp objects.
- Multiple plugs and extension cables must not be used. Overloading is dangerous and may cause a fire hazard.

Disposal

- This appliance and its packaging are environmentally friendly and recyclable. Please help us to care for the environment by disposing the packaging in a proper manner and recycling any old appliances.
- Before disposing an old appliance, disconnect it from the power supply and cut the power supply cord to prevent hazards.

The manufacturer will not be held liable for any damages resulting from improper installation nor failure to adopt proper safety measures during installation and operational use of the appliance.

SPECIFICATIONS

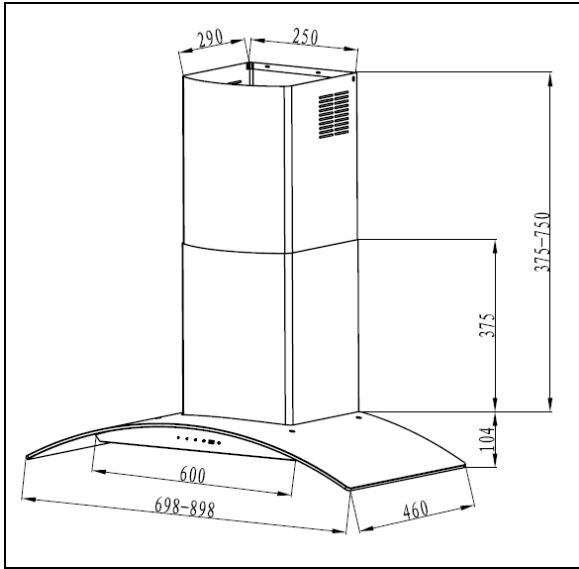


Fig. 2

Model	RH-C209-GCR RH-C209-GCV
Voltage	220V - 240V / 50Hz
Power of Motor	400W
Power of Lamps	2 x 20W
Cable Length	1.5m
Appliance Dimension (W x D x H):	
90cm model	898 x 460 x 479-854mm
<i>Note: The manufacturer reserves the right to effect any technological improvement or modification without prior notice.</i>	

COMPONENTS

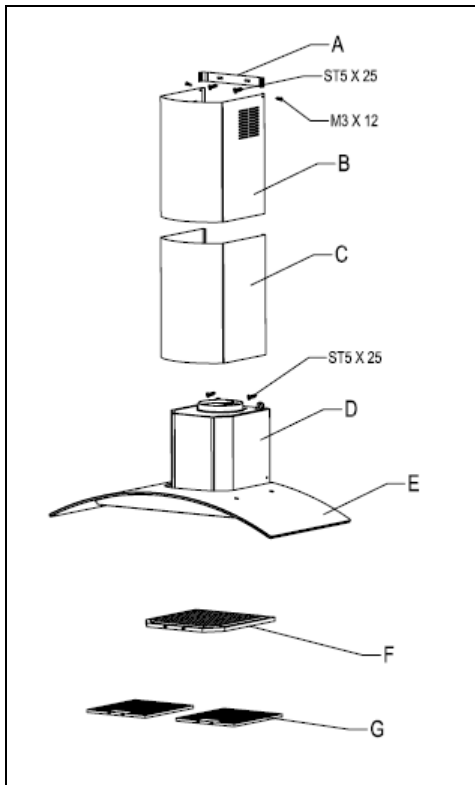


Fig. 3

Ref	Qty	Product components
A	1	Mounting bracket
B	1	Inner Duct
C	1	Outer Duct
D	1	Motor Housing
E	1	Glass Panel
F	1	Charcoal Filter
G	2	Grease Filter
Qty		Installation components
	2	Screw M3 x 12
	4	Screw ST5 x 25
Qty		Documentation
	1	Operation / Installation Manual

INSTALLATION

This appliance can be installed in ducted or recirculation mode.

Ducted mode (Fig. 4)

- In ducted mode, the extractor hood fan extracts the cooking vapours and passes them through the grease filter. The air then flows to the outside.
- The grease filter absorbs the solid particles in the cooking vapors.
- In this mode, **only grease filters are installed (charcoal filter is optional).**

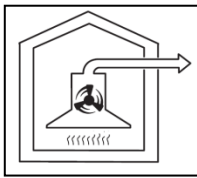


Fig. 4

Recirculation mode (Fig. 5)

- In recirculation mode, the extractor hood fan extracts the cooking vapors which are purified in the grease filter and charcoal filter.
- The purified air is then recirculated into the kitchen via a vent opening in the hood. The grease filter absorbs the solid particles in the cooking vapors.
- The charcoal filter is designed to absorb cooking odor. In this mode, **both grease filters and charcoal filters are installed.**



Fig. 5

Connection to exhaust air pipe (Fig. 6 & 6.1)

- Attach $\varnothing 150\text{mm}$ pipe directly to the air outlet and secure appropriately (Fig. 6).
- If using $\varnothing 120\text{mm}$ pipe, connect to the air outlet using a reducing connector (not provided).
- Secure both joints appropriately (Fig. 6.1).
- Connect pipe to the outdoor duct.

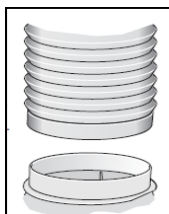


Fig. 6

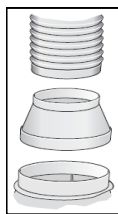


Fig. 6.1

Wall mounting (Fig. 7 & 8)

Do ensure that the appliance is mounted on a solid surface which could withstand the appliance's weight.

- Draw a vertical line at the center of the wall.
- From bench top (see A), draw a horizontal line above minimum installation height level (see B).
- Mark a reference point at C. Repeat this step on the other side.
- Drill $\varnothing 8\text{mm}$ holes at center of marking points. Insert wall plugs in the wall.
- Fix the hood body to wall using 2 (two) ST5 x 25 screws provided. Tighten screws firmly. Note: Adjust the hood body alignment if necessary (Fig. 9).
- Place mounting bracket on the wall at desired height level. Align bracket center at vertical line (see D).
- Mark the center of the bracket holes and drill $\varnothing 8\text{mm}$ holes. Insert wall plugs in the wall.
- Secure mounting bracket firmly using 2 (two) ST5 x 25 screws provided.
- Fix the inner duct to mounting bracket using 2 (two) M3 x 12 screws provided (Fig. 8).
- Slide the outer duct downwards and ensure that it is well seated on the hood body.

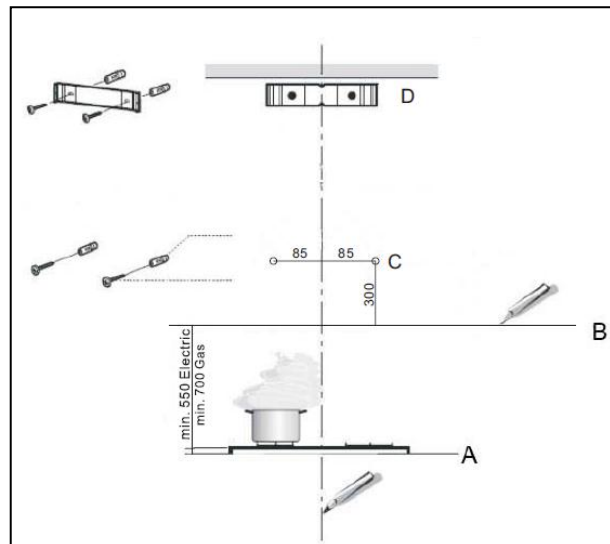


Fig. 7

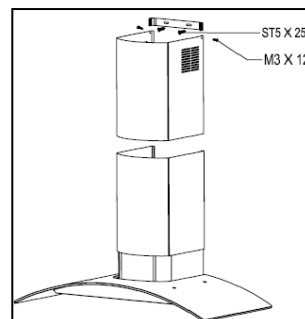


Fig. 8

Aligning the hood body (if necessary) (Fig. 9)

- Before attaching hood body to wall, adjust the 2(two) screws located on the hood body mounting points.
- Hook the hood body onto the support screws and tighten the support screws fully.
- Adjust screws to level the hood body.

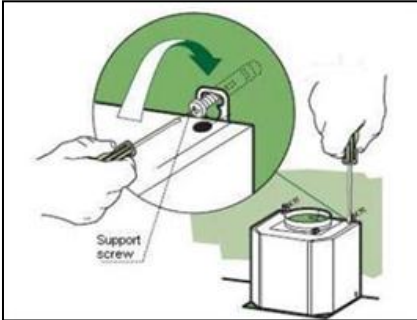


Fig. 9

Installation must be performed by qualified personnel only. The manufacturer declines all responsibility for improper installation and does not accept responsibility for appliance warranty in the event of damage caused by incorrect installation.

OPERATION

To achieve better air extraction, we recommend you to switch on the blower a few minutes before starting to cook. Leave it on for approximately 15 minutes after cooking or till all cooking smell is completely removed.

Switch control

Note: Touch the sensor buttons gently to operate this appliance.



Light

Low
SpeedMedium
SpeedHigh
SpeedDelay Stop
Timer

LIGHT: Touch to select on/off.

LOW SPEED: Touch to on/off the fan at low speed.

MEDIUM SPEED: Touch to on/off the fan at medium speed.

HIGH SPEED: Touch to on/off the fan at high speed.

DELAY STOP TIMER:

- Touch to select delay stop timer at 3, 6, 9, 12 or 15 minutes. The timer setting & countdown is displayed in the window. The fan turns off automatically after timer ends operation.
- To deactivate this function before the timer stops, touch the speed button to turn off the fan completely. Or, touch the delay stop timer to clear setting and fan remains running at the selected speed.

MAINTENANCE AND CARE

Disconnect the power supply cord before carrying out any cleaning or maintenance activities. It is important to clean and/or replace the filters at appropriate intervals as grease deposits build-up increases the risk of fire. Do not operate the extractor hood without grease filter.

Grease filter (Fig. 10)

- Grease filters are used to absorb the grease particles formed during cooking process. The filters must be removed and cleaned every 4 weeks, depending on frequency of usage. Clean the filter either by hand or in the dishwasher. Note: Take care not to bend the filters during washing.
- If by hand washing, soak the filters in warm detergent solution to simplify the removal of grease. Brush the filters, rinse thoroughly and leave it to dry before refitting.
- If by dishwasher, select an appropriate wash program. Leave it to dry before refitting. Note: slight discoloration of the filter may occur.
- Removing and inserting the grease filters:
 - To remove, depress the handle and pull down at the same time.
 - To refit, slot the filter into position. Make sure that the handle is visible on the outside.

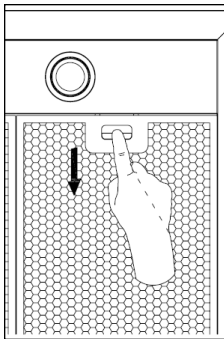


Fig. 10

Charcoal filter (where applicable) (Fig. 11)

- The charcoal filters should be replaced when it is noticeably dirty or discolored, usually after 6 to 12 months depending on the conditions of use.
- These filters are not washable and cannot be restored. To ensure that this appliance functions effectively, regular maintenance is necessary as clogged filters restrict airflow and may cause the motor to overheat.
- Removing and inserting the charcoal filter:
 - Remove the saturated charcoal filter from the blower as shown.
 - Fit in the new charcoal filter.

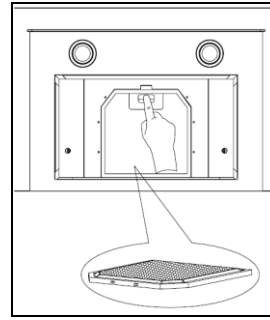


Fig. 11

Cleaning the appliance body

- Clean the extractor hood using warm detergent solution and a soft damp cloth. Wipe dry with a lint-free cloth.
- Avoid using corrosive or abrasive products that could damage the surface.

Light replacement (Fig. 12 & 12.1)



Replace the light bulb with another which has the same characteristics as a higher voltage bulb could damage the electrical unit.

- Removing and replacing the lights:
 - Push out the light assembly from inside of the hood body (Fig. 12).
 - Disconnect the light connector (Fig. 12.1).
 - Replace a new set of light assembly. Note: For purchase of spare part, please check with your local Rinnai Rinnai Customer Care Centre for assistance.
 - Reverse the procedure for refitting.

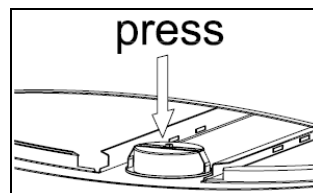


Fig. 12

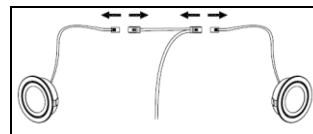


Fig. 12.1

You are strongly recommended to follow these safety instructions. The manufacturer will not be held liable for any damages to the appliance or any fire hazard due to failure to observe the above safety recommendations.

TROUBLESHOOT

Problem	Possible Cause	Solution
Extractor hood does not function	No electrical supply	Check that plug is connected and main power switch is turned on
Poor airflow	Grease filters clogged with grease build-up	Clean the grease filters and refit when dry
	Charcoal filters clogged with grease build-up	Replace charcoal filters with new sets
Hood suction is not effective	Inadequate ventilation	Ensure that the kitchen is sufficiently ventilated to allow entry of fresh air
	Charcoal filters are not installed	Install charcoal filters for setting in recirculation mode
Motor is running but no airflow	Poor exhaust	Please contact Rinnai Customer Care Service
Whirring sound	Foreign object may be in contact with fan blade	Please contact Rinnai Customer Care Service
Lights are not working	Lamps are burnt out	Replace the damaged lamps
	Lamps are loose	Tighten the lamps

If problem persists after the above checks, please contact Rinnai Customer Care Centre for assistance.

Please quote the model number of your appliance as shown on the rating plate attached to your equipment (Fig. 13).

For service calls under warranty, please note that it is necessary to produce your proof of purchase and valid warranty card.

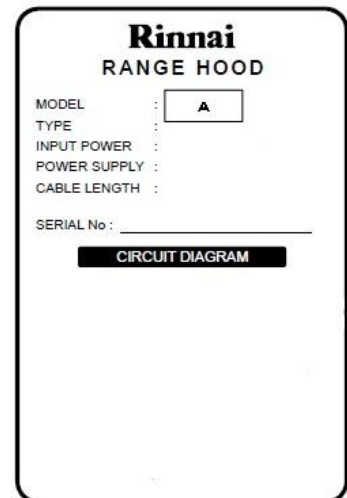


Fig.13 - Rating plate is for illustration purpose only and its specifications vary across models.

目录

安全警告	8
规格及零部件	10
安装	11
操作	12
维修与保养	13
常见故障的识别与处理	14



重要提示

要注册您的产品保修，需要把序列号贴纸贴到随机器包装的保用证上。请联系当地的林内客户售后服务中心咨询更新信息。

安全警告

在使用本器具前，请仔细阅读本使用手册。本手册包括重要的涉及人身安全以及器具使用和保养方面的信息。

开箱

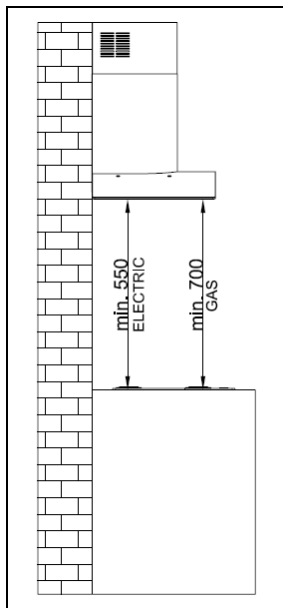
- 如有明显的运输过程造成的损伤，请不要使用该器具。
- 如果电源线破损，则必须由生产商，服务代理或者合格的技术人员进行更换，防止伤害风险。
- 请确保孩童远离塑料包装。

给安装人员

- 此油烟机罩可以安装在燃气炉和电炉上方。从台面到烟机底部的最小的安装高度为 700mm (燃气灶) 和 550mm (电炉) (图. 1)。
- 请把油烟机罩安装在灶的正上方。
- 请确保器具的安装地点有良好的通风。
- 连接电源时，请按照铭牌所示信息确认电源电压与频率。

给用户

- 烟机是适合国内使用的，用于消除厨房的异味。请不要把烟机使用于其他用途。
- 请不要让孩童玩弄或者操作器具。请监督年老体弱者的使用。
- 安装与维修只能让合格的技术人员进行。
- 对烟机任意的修改将导致危险。篡改电气连接配件或机器配件都会导致运行错误并会使使用人员陷入危险。
- 当烟机运行时请不要使用较高火焰的燃烧器。会点燃燃烧器上面的炊具。
- 请不要在烟机下方直接燃火或烤火。火焰会被吸进烟机，里面的油脂过滤器会着火。



- 电源连接必须符合当地标准。图.1 电源之前确认当地的电压是否正确。
- 请使用符合当地的接地连接器。此器具的电源连接必须接地 (合适的):
 - 绿色 & 黄色 = 接地; 蓝色 = 零线; 褐色 = 相线
- 管道模式:
 - 请使用管径最小为 120mm 的管来连接烟机与排气管。请尽量使用最短与最直的管道。
 - 请不要将火焰排进与烟机连接的排气管。
 - 如果烟机与其他非电器器具如燃气器具一起使用, 请务必做好适当的通风。厨房必须打开直接通往室外的窗门来换气。

注意: 生产商没有任何义务接受管道安装与设计的投诉。

- 请注意不断观察, 因为过热的热油会增加自燃的危险。
- 请不要操作没有油脂过滤器的器具。
- 定期清理与更换过滤器很重要, 因为油脂积聚会增加着火的危险。
- 请在取出清理或维修之前务必切断电源。
- 请确认电源线远离任何热源或尖锐的物体。
- 禁止使用多用插头与延长电线。有超负荷的危险, 会引发火灾。

处理

- 此器具与其包装都是环保及可循环再用的。
- 请帮助我们爱护环境, 用适当的方式处置包装以及旧的器具。
- 在处置旧器具前, 请切断电源以及移走电源线防止危险发生。

注意: 生产商不会对由于任何安装或者通过非正当的方式安装与运行产生的损坏负责。

规格

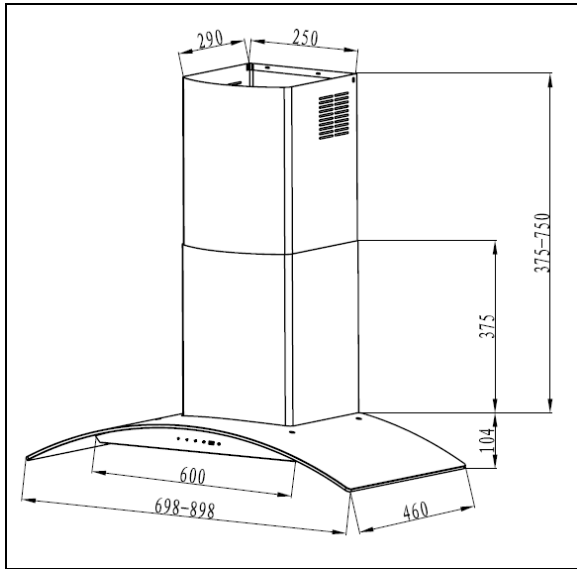


图. 2

型号	RH-C209-GCR RH-C209-GCV
电压	220V - 240V / 50Hz
马达功率	400W
灯泡功率	2 x 20W
电源线	1.5m
器具尺寸 (W x D x H):	
90cm model	898 x 460 x 479-854mm
注意: 生产商拥有改造器具而不预先对消费者进行告知的权利。	

部件名称

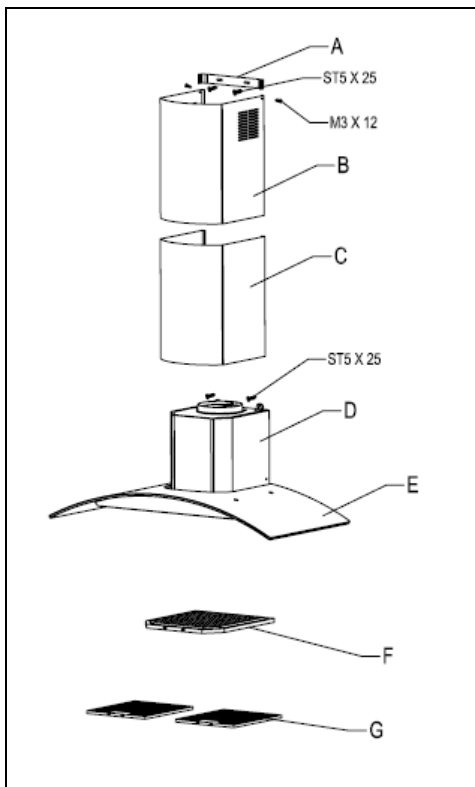


图. 3

参照	数量	产品配件
A	1	安装支架
B	1	内罩
C	1	外罩
D	1	电机组件
E	1	玻璃面板
F	1	木炭过滤器
G	2	油脂过滤器
数量	安装配件	
2	Screw M3 x 12	
4	Screw ST5 x 25	
数量	文件	
1	操作 / 安装说明手册	

安装

该器具必须以管道模式或回流模式安装。

管道模式 (图. 4)

- 在管道模式中, 烟机的风扇会把煮食的油烟吸进管道并通过油脂过滤器排出屋外。
- 油脂过滤器吸收煮食过程中油烟的固体物质。因此在此模式中, **只安装油脂过滤器 (木炭过滤器是可选的)**。

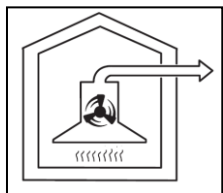


图. 4

回流模式 (图. 5)

- 在回流模式里, 烟机的风扇将吸走被油脂过滤器与木炭过滤器净化后的煮食气体。
- 净化后的气体之后通过烟机里的一个排气孔回流进厨房。
- 油脂过滤器吸收煮食气体的固体物质。
- 木炭过滤器是设计吸收煮食气味的。
- 在此模式里, 要安装油脂过滤器与木炭过滤器。



图. 5

链接 (图. 6 & 6.1)

- 把 $\varnothing 150\text{mm}$ 管直接装到出风口, 并紧固(图. 6).
- 如果使用 $\varnothing 120\text{mm}$ 管道, 连接到出风口就要使用变径连接器 (不提供).
- 紧固所有的连接件 (图. 6.1).
- 把管道连接到屋外管道。

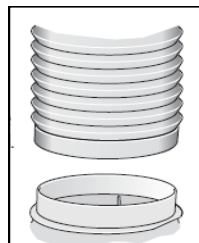


图. 6

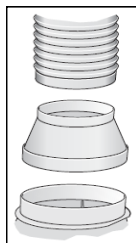


图. 6.1

墙面安装与固定架 (图. 7 & 8)

务必确保安装器具的墙面够坚固, 以承受器具的重量。

- 在墙面的中央到台面画一条垂直的线。
- 从台面 (参照 A), 在最少安装高度处画一条水平线 (参照 B)。
- 在 C 处画一个参照点。在另外一面重复画一点。
- 在这些点的中央钻一个 $\varnothing 8\text{mm}$ 的孔。插入 膨胀螺钉。
- 用配套的两个 (ST5 x 25) 螺丝把 机体固定到墙上。注意: 根据需要调整机身的直线水平(图. 9)。
- 把安装架安装在希望的高度处, 对准架子的中心画垂直线 (参照 D)。
- 在架子孔的中间标注, 钻一个 $\varnothing 8\text{mm}$ 的孔。把膨胀螺钉钉进去。
- 用配套的两个 ST5 x 25 螺丝固定安装架。
- 请用配套的两个 M3 x 12 螺丝固定内罩到安装架。(图. 8)。
- 向下滑动外罩并确保固定在机体上。

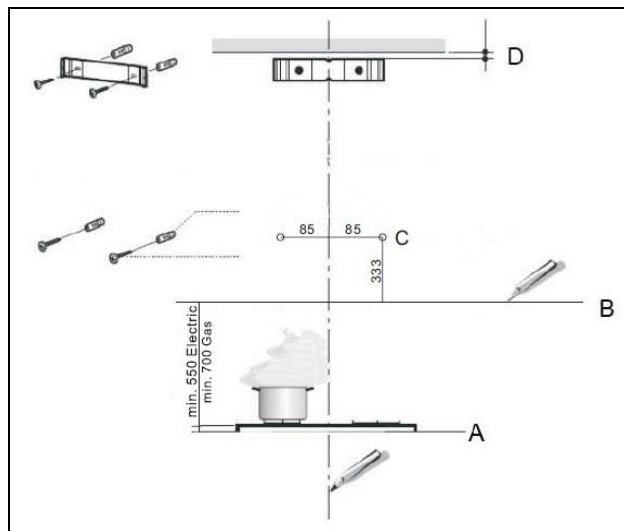


图. 7

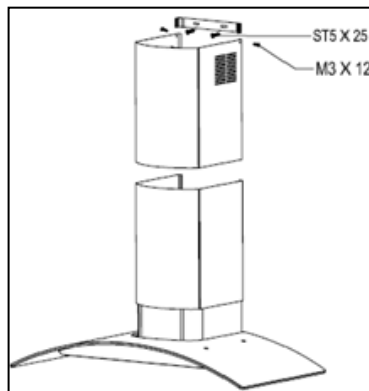


图. 8

对准机体 (尽可能) (图. 9)

- 在把机体贴到墙上之前，调整在机体安装点上的两个螺丝的位置。
- 把机体挂到支撑螺丝上面，拧紧螺丝。
- 调整螺丝来调整机体的水平。

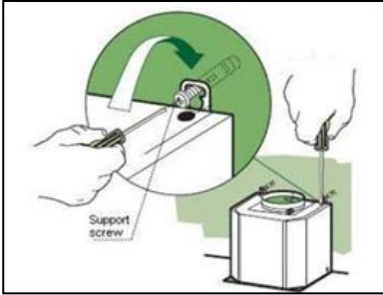


图. 9

注意: 生产商不会对由于任何安装或者通过非正当的方式安装与运行产生的损坏负责。

操作

为了达到更好的抽气效果，我们建议在煮饭前几分钟先启动抽风。而在煮饭后 15 分钟左右或者等油烟完全消失之后再关闭烟机。

开关控制

控制钮注意: 轻轻接触感应按键来启动机器。



灯



低速



中速



高速



延迟停止

灯: 轻触，选择启动/关闭。

低速: 轻触启动/关闭低速的风扇。

中速: 轻触启动/关闭中速的风扇。

高速: 轻触启动/关闭高速的风扇。

延迟停止计时器:

- 接触此键选择延迟停止时间，可选择 3, 6, 9, 12 或 15 分钟。计时器设置是以倒计时方式显示在窗口。风扇就会在计时器倒数完之后自动关闭。
- 要在计时器倒数完之后停用，轻触速度键来完全关闭风扇。或者，轻触延迟停止键来清除设置，风扇就会在选择速度下继续运转。

维修与保养

请确保主电源在清洗或保养维修之前已经被切断。
定期对过滤器清洗或更换是很重要的，因为油脂积聚会增加着火的危险。
不要在没有油脂过滤器的情况下开动机器。

油脂过滤器 (图. 10)

- 油脂过滤器是用于吸收煮饭过程中发出的油脂的。此过滤器必须根据使用频率每 4 周清洗或者移出。过滤器可以用手或洗碗机清洗。注意：注意清洗时不要弯曲过滤网。
- 如果用手洗，用温水清洗液洗更容易洗掉油脂。再重新安装回去之前，要擦洗干净并晾干过滤器。
- 如果用洗碗机，选择一个适合的清洗程序。重新安装回去之前要晾干过滤器。
注意：过滤器会有轻微的掉色现象。
- 移出与插入油脂过滤器：
 - 移出，压下把手同时拉出。
 - 插入，把过滤器放入槽中。确保把手在外面可视

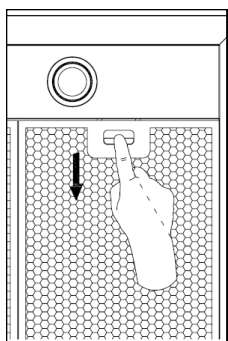


图. 10

过滤器 (适合的位置) (图. 11)

- 在看到脏污或者褪色的时候应该更换木炭过滤器，这通常在 6-12 个月之后，根据使用情况而定。
- 这些过滤器不能清洗也不能恢复。为了确保器具的功能正常，定期的保养是需要的，因为堵塞的过滤网会阻止空气流动并会引起马达过热。
- 移出和插入木炭过滤器：
 - 如图所示，从风机移出饱和木炭过滤器。
 - 装入新的木炭过滤器。

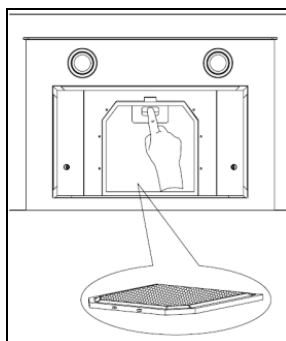


图. 11

清洗机体

- 清洗烟机要使用温水清洗液和软湿布。清洗之后，用无尘布来擦干。
- 避免使用腐蚀性或研磨性的产品，因为这样会容易刮花产品表面。

灯的更换 (图. 12)

- ⚠ 更换灯泡时要注意更换的灯泡须与原灯泡的特性相同，因为如果规格不同会对电子元件造成损伤。
- 移走与更换灯泡：
 - 推出机体里的灯泡 (图. 12).
 - 切断灯泡的电源 (图. 12.1).
 - 更换新的灯泡。
注意：如要购买零件，请与当地的林内售后服务联络请求协助。
 - 再安装回去。

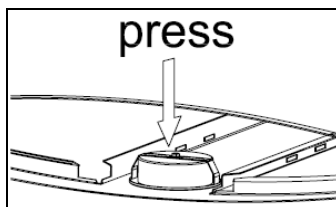


图. 12

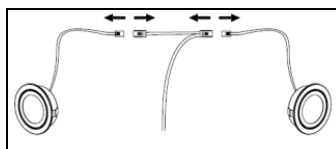


图. 12.1

注意：强烈建议您阅读这些安全提示。制造商对任何由于不遵守上述安全建议而引致器具损伤或火灾都不需负任何责任。

常见故障的识别与处理

问题	可能导致问题的原因	解决方法
烟机不运作	没电	确认插头已经插上，电源已经开启。
风量小	油脂过滤器被油脂堵塞	清洗油脂过滤器，晾干后安装回去
	木炭过滤器被油脂堵塞	更换新的木炭过滤器
抽油烟率太低	通风不足	确保厨房通风情况良好以使新鲜空气能进入厨房内
	木炭过滤器没安装	安装木炭过滤器，以设置为回流模式
马达启动但是不能抽风	排风不好	请联系林内的售后服务中心
呼呼的声音	风扇页可能有外物碰触到	请联系林内的售后服务中心
灯不亮	灯泡损坏	更换掉烧坏的灯泡
	灯泡松了	拧紧灯泡

如果进行了以上的确认之后问题依然存在，请联系林内的售后服务中心请求帮助。

请找出产品的型号，型号在机体的铭牌上，如图所示。(图. 13).

如果需要保修服务，请提供购买产品的证明与有效的保修证。

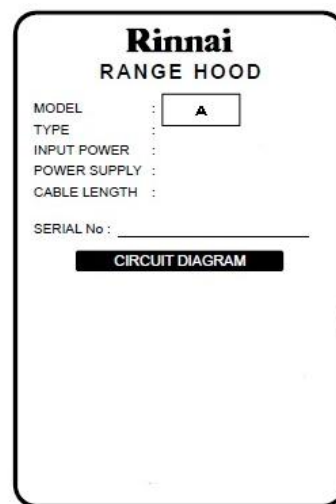


图.13 - 注意: 铭牌只起插图提示的作用，不同产品的铭牌不同。

DAFTAR ISI

Peringatan Keselamatan	15
Spesifikasi & Komponen.....	17
Pemasangan.....	18
Pengoperasian.....	19
Pemeliharaan & Perawatan.....	20
Pemecahan Masalah.....	21



PENTING

Untuk meregistrasi garansi produk anda, silahkan menyalin nomer seri pada stiker yang ada pada kemasan kartu garansi anda. Silahkan hubungi layanan purna jual dikota anda jika anda memerlukan bantuan lebih lanjut.

PERINGATAN KESELAMATAN

Silahkan anda membaca panduan manual ini sebelum anda menggunakannya. Pentunjuk manual ini berisi informasi yang penting yang berhubungan dengan keselamatan pribadi anda dan juga cara penggunaan dan perawatannya.

Membuka Bungkusan

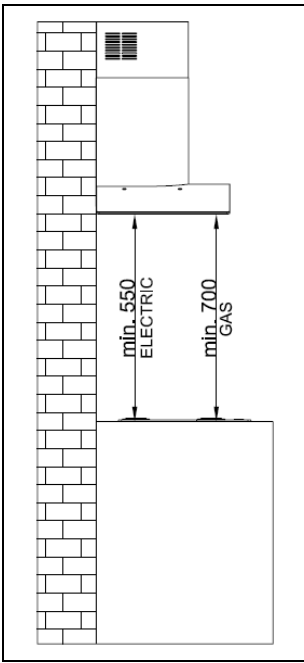
- Jangan gunakan alat ini jika terdapat tanda kerusakan saat transportasi.
- Jika kabel listrik rusak, harus diganti oleh pihak perusahaan atau pabrik, agen service atau orang yang ahli untuk mengatasi kerusakan.
- Pastikan bahwa anak kecil tidak bermain dengan plastik pembungkus ini.

Cara Pemasangan

- Tudung hisap bisa dipasang diatas kompor gas dan juga pemasak elektrik lainnya. Tinggi minimum pemasangan dari atas tungku ke bagian bawah tudung adalah 700mm (kompor gas) dan 550mm (kompor listrik). Gam.1
- Selalu arahkan tudung hisap tepat ditengah kompor.

Untuk pengguna

- Tudung hisap didesain untuk mengurangi bau tidak sedap dari dapur. Jangan menggunakan tudung hisap untuk tujuan yang tidak semestinya.
- Jangan biarkan anak kecil mengoperasikan alat ini. Awasi oleh orang tua.
- Pemasangan dan perbaikan harus dilakukan oleh orang yang berpengalaman.
- Sangat berbahaya untuk memodifikasi bagian dari alat ini. Merusak sambungan listrik atau bagian mekanik bisa menyebabkan kesalahan penggunaan dan mungkin menyebabkan pengguna dalam bahaya.
- Jangan pernah biarkan api tinggi langsung dibawah tudung hisap. Selalu tutupi dengan alat memasak.



Gam. 1

- Pastikan bahwa alat anda terpasang pada lokasi yang mempunyai ventilasi udara yang permanen.
- Saat membuat saluran listrik, periksa bahwa sumber arus utama dan frekuensi sama dengan yang ada di data plate.
- Penghubung listrik harus dibuat sesuai pada standar local. Pastikan bahwa tegangan di area anda benar sebelum dinyalakan.
- Gunakan penghubung listrik yang sesuai dengan lokasi anda. Penghubung listrik dari alat ini harus terhubung dengan ground (yang berlaku):
 - Hijau dan kuning = Bumi, Biru = netral, Cokelat = Arus
- Untuk mode ventilasi:
 - Hubungkan tudung hisap pada saluran pipa dengan diameter minimum $\varnothing 120\text{mm}$. Cari langkah terpendek dan terlurus yang paling mungkin.
 - Jangan hubungkan tudung hisap pada penghisap yang membawa sisa pembakaran.
 - Atur ventilasi yang tepat jika tudung hisap digunakan dengan alat lain yang tidak didukung oleh tegangan listrik misalnya alat pembakar gas. Dapur harus mempunyai ventilasi udara yang terhubung langsung keluar untuk memungkinkan adanya sirkulasi udara.

Catatan: Perusahaan tidak akan bertanggung jawab untuk keluhan yang menyangkut disain dan tata letak pipa.

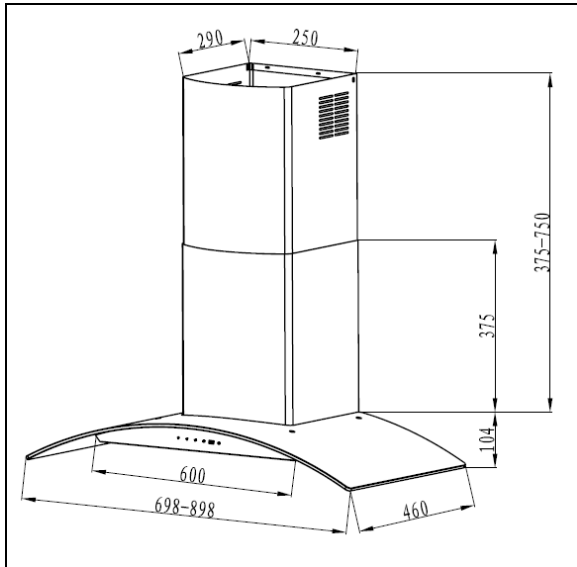
- Jangan memasak atau memanggang langsung dibawah tudung hisap. Api bisa menyebabkan tudung terbakar karena terhisap dan mungkin filter bisa terkena api.
- Selalu pantau saat memasak secara terus menerus karena jika terlalu panas bisa meningkatkan resiko kebakaran.
- Jangan mengoperasikan tudung hisap tanpa grease filter.
- Sangat penting untuk membersihkan atau mengganti penyaring dengan interval waktu tertentu. Tumpukan endapan minyak bisa meningkatkan resiko kebakaran.
- Jangan pernah menyambungkan alat ini dengan sumber arus saat akan melakukan pembersihan atau perawatan tudung.
- Pastikan bahwa sumber arus bebas dari sumber panas lainnya atau benda tajam.
- Jangan gunakan colokan yang ganda dan kabel yang terlalu panjang. Sesuatu yang terlalu berlebihan berbahaya dan bisa menyebabkan kerusakan.

Pembuangan

- Alat ini dan pembungkusnya sangat ramah lingkungan dan bisa didaur ulang.
- Tolong bantu kami untuk menjaga lingkungan dengan membuang pembungkus pada tempat yang sesuai dan medaur ulang alat yang sudah lama.
- Sebelum membuang alat yang lama, matikan dari sumber arus dan pindahkan tegangan untuk menghindari kerusakan.

Catatan: Perusahaan tidak bertanggung jawab atas kerusakan akibat pemasangan yang tidak benar atau kegagalan untuk mengambil tindakan-tindakan keselamatan yang tepat selama pemasangan dan penggunaan operasional alat ini.

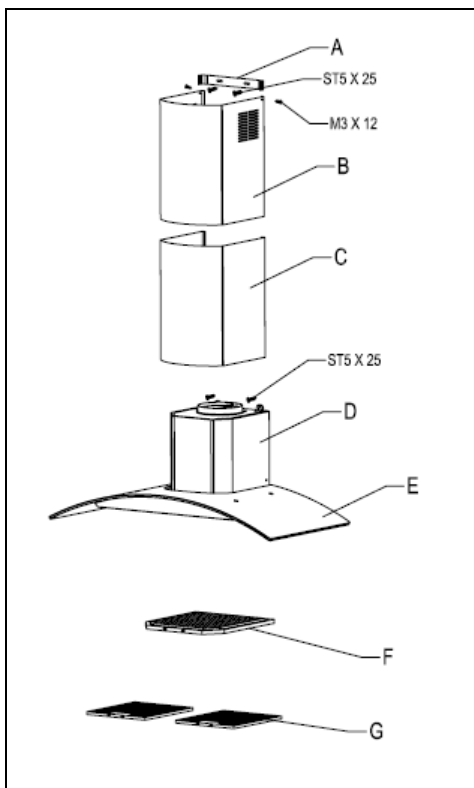
SPESIFIKASI



Gam. 2

Model	RH-C209-GCR RH-C209-GCV
Tegangan	220V - 240V / 50Hz
Daya Motor	400W
Daya Lampu	2 x 20W
Panjang kabel	1.5m
Dimensi alat (W x D x H):	
90cm model	898 x 460 x 479-854mm
<i>Catatan:</i> Perusahaan mempunyai hak untuk melakukan peningkatan dan memodifikasi alat ini tanpa ada pemberitahuan terlebih dahulu.	

KOMPONEN



Gam. 3

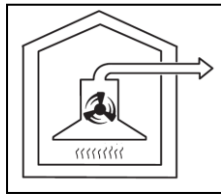
Ref	Jml	Komponen Produk
A	1	Mounting bracket
B	1	Inner Duct
C	1	Outer Duct
D	1	Motor Housing
E	1	Glass Panel
F	1	Charcoal Filter
G	2	Grease Filter
Jml		Komponen Pemasangan
	2	Screw M3 x 12
	4	Screw ST5 x 25
Jml		Dokumentasi
	1	Pengoperasian/ Petunjuk manual

PEMASANGAN

Peralatan ini bisa dipasang dengan menggunakan mode ventilasi dan juga mode recycle.

Ducted mode (Mode ventilasi) (Gam. 4)

- Dalam mode ventilasi, kipas filter membersihkan uap masakan dan menyalurkannya ke grease filter. Udara kemudian mengalir keluar.
- Grease filter menyerap partikel padat dalam uap masakan.
- Dalam mode ini, hanya grease filter yang dipasang (**charcoal filter hanya tambahan**).



Gam. 4

Mode recycle (Gam. 5)

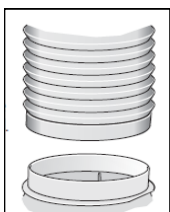
- Cara ini, kipas tudung hisap mengubah asap yang dibersihkan di grease filter dan charcoal filter.
- Udara bersih kemudian disirkulasikan lagi kedalam ruang dapur melalui lubang angin yang terbuka di bagian atas tudung hisap. Grease filter menyerap partikel solid asap saat memasak.
- Charcoal filter didesign untuk menyerap bau tidak sedap. Pada mode ini **baik grease filter dan charcoal filter dipasang**.



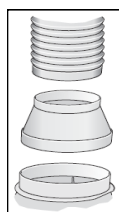
Gam. 5

Saluran atau penghubung (Gam. 6 & 6.1)

- Pasang pipa berdiameter 150mm langsung ke udara luar (Gam. 6).
- Jika menggunakan pipa berdiameter 120mm, hubungkan ke udara luar menggunakan penghubung yang lebih kecil (tidak tersedia).
- Pasang kedua sambungan dengan benar (Gam. 6.1).
- Sambungkan pipa ke luar ruangan.



Gam. 6

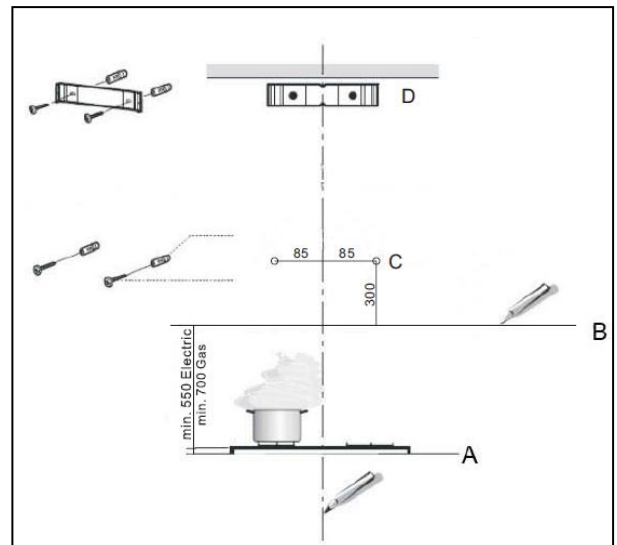


Gam. 6.1

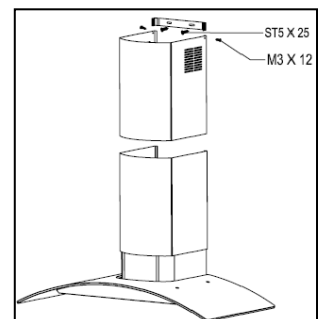
Pemasangan pada dinding cabinet (Gam. 7 & 8)

Pastikan alat menempel pada lapisan dinding yang keras sehingga bias menopang berat alat ini.

- Buat garis vertikal ditengah dinding.
- Dari atas tungku (lihat A), buat garis horisontal (lihat B) diatas minimum level tinggi pemasangan.
- Tandai titik referensi pada titik C. Ulangi langkah ini pada sisi lain.
- Bor lubang berdiameter 8mm pada tengah titik. Masukkan penopang kedinding.
- Tentukan posisi tudung ke dinding menggunakan 2 baut ST5 x 25 yang tersedia. Catatan: Sesuaikan posisi tudung jika diperlukan (Gam. 9).
- Tempatkan mounthing braket pada posisi tinggi yang diinginkan. Luruskan braket pada garis vertikal (lihat D).
- Tandai pusat lubang braket dan bor dengan diameter \varnothing 8mm. Masukkan penopang kedinding.
- Pasang mounthing bracket dengan benar menggunakan 2 baut ST5 x 25 yang sudah ada.
- Pasang inner duct ke mounthing bracket menggunakan 2 baut M3 x 12 yang ada (Gam. 8).
- Geser outer duct kebawah dan pastikan bahwa outer duct terpasang dengan benar pada badan kap.



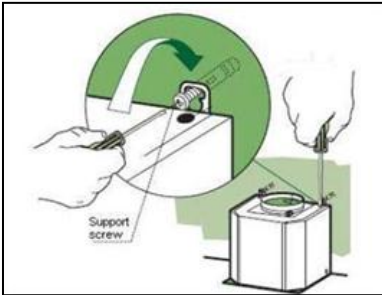
Gam. 7



Gam. 8

Luruskan tudung body hisab (jika perlu) (Gam. 9)

- Sebelum memasang body tudung hisap pada dinding, setelah 2 baut yang akan dipasang pada titik body tudung .
- Kaitkan body tudung pada baut penyangga dan kuatkan baut penyangga sekuatnya.
- Kaitkan body tudung pada baut penyangga dan kuatkan baut penyangga sekuatnya.



Gam. 9

Pemasangan harus dilakukan oleh teknisi ahli. Perusahaan tidak bertanggung jawab terhadap instalasi yang tidak tepat dan tidak bertanggung jawab atas garansi alat jika terjadi kerusakan yang diakibatkan oleh instalasi pemasangan yang salah.

PENGOPERASIAN

Untuk mendapatkan udara yang lebih baik. Kami menyarankan anda untuk menyalakan penghisap udara beberapa menit sebelum mulai memasak. Diamkan menyala selama kurang lebih 15 menit setelah memasak atau sampai bau masakan sudah hilang.

Tombol Pengaturan

Catatan: Tekan tombol sensor secara halus untuk menghidupkan alat ini.



Light



Low Speed



Medium Speed



High Speed



Delay Stop Timer

LIGHT: Tekan untuk mematikan atau menghidupkan lampu.

LOW SPEED: Tekan untuk on/off kipas pada kecepatan rendah.

MEDIUM SPEED: Tekan untuk on/off kipas pada kecepatan sedang.

HIGH SPEED: Tekan untuk on/off kipas pada kecepatan tinggi.

DELAY STOP TIMER:

- Tekan untuk memilih delay stop timer pada 3, 6, 9, 12 atau 15 menit. Pengaturan waktu & penghitungan waktu tampak dilayar. Kipas berhenti otomatis saat waktu beroperasi berakhir.
- Untuk menonaktifkan fungsi ini sebelum timer habis, tekan tombol speed untuk mematikan kipas. Atau, pencet delay stop timer untuk menghapus setingan awal dan seting kipas pada kecepatan yang diinginkan.

PEMELIHARAAN & PERAWATAN

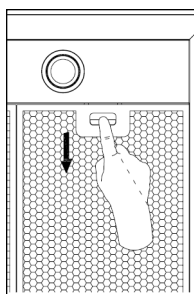
Pastikan bahwa alat ini tidak terhubung dengan sumber arus sebelum melakukan aktivitas perbaikan atau perawatan. Sangat penting untuk membersihkan atau mengganti filter dengan rentang waktu tertentu karena endapan minyak dapat meningkatkan resiko kebakaran. Jangan mengoperasikan tudung hisap tanpa grease filternya.

Grease filter / Penyaring minyak (Gam. 10)

- Grease filter digunakan untuk menyerap minyak yang berbentuk partikel selama proses memasak. Penyaring ini harus dipindah dan dibersihkan setiap 4 minggu sekali, tergantung dari banyaknya penggunaan. Bersihkan penyaring dengan tangan atau dengan pencuci piring.

Catatan: Hati hati selama mencuci jangan sampai membengkokkan penyaring/filters.

- Jika dengan pencuci piring, Pilih program yang sesuai. Keringkan dulu sebelum memasang kembali. Catatan: Mungkin akan terjadi pemudaran warna.
- Memindah dan memasukan kembali grease filter:
- Untuk memindahkan, Tekan pegangan dan tarik kebawah pada waktu bersamaan.
- Untuk memasang kembali, pasang saringan pada posisi yang tepat. Pastikan pegangan terlihat dari luar.

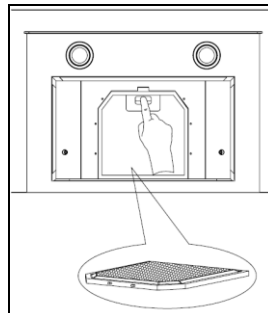


Gam. 10

Charcoal Filter / Penyaring asap (Dimana diterapkan) (Gam. 11)

- Charcoal filter harus diganti saat kelihatan kotor atau kusam, biasanya setelah 6 sampai 12 bulan tergantung kondisi penggunaan.
- Penyaring ini tidak bisa dicuci dan tidak bisa diperbaiki. Untuk memastikan alat ini berfungsi efektif, perawatan berkala sangat diperlukan misal tersumbatnya sirkulasi udara bisa menjadi penyebab motor terlalu panas
- Penyaring ini tidak bisa dicuci dan tidak bisa diperbaiki. Untuk memastikan alat ini berfungsi efektif, perawatan berkala sangat diperlukan misal tersumbatnya sirkulasi udara bisa menyebabkan motor terlalu panas.

- Memindah dan memasang lagi charcoal filter:
 - Pindah charcoal filter yang lama dari blower seperti terlihat disamping ini.
 - Cocokan dengan charcoal filter yang baru.



Gam. 11

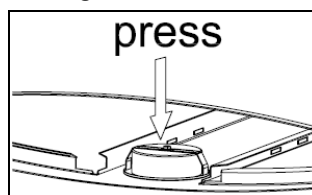
Membersihkan badan tudung hisap

- Bersihkan tudung hisap menggunakan air detergen yang hangat dan kain yang lembut. Lap sampai kering dengan kain yang kering.
- Hindari penggunaan zat kimia yang bias menyebabkan kerusakan permukaan tudung hisap.

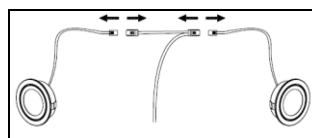
Penggantian lampu (Gam. 12 & 12.1)

! Ganti lampu dengan yang baru yang mempunyai tipe yang sama karena lampu yang mempunyai tegangan lebih tinggi bisa menyebabkan kerusakan unit.

- Mengganti dan memindahkan lampu :
 - Tekan keluar rangkaian lampu dari dalam badan hisap.(Gam.12)
 - Matikan saluran lampu.(Gam.12.1)
 - Ganti dengan rangkaian lampu yang baru. Catatan: Untuk pemesanan spare part, silahkan periksa dengan Rinnai after sales service daerah anda untuk bantuan lebih lanjut.
 - Lakukan langkah yang sebaliknya untuk memasang lagi.



Gam. 12



Gam. 12.1

Catatan: Anda sangat dianjurkan untuk mengikuti langkah langkah keamanan ini. Perusahaan tidak akan bertanggung jawab atas kerusakan perangkat ataupun bahaya kebakaran yang terjadi karena kegagalan untuk lebih lanjutnya perhatikan saran keselamatan diatas.

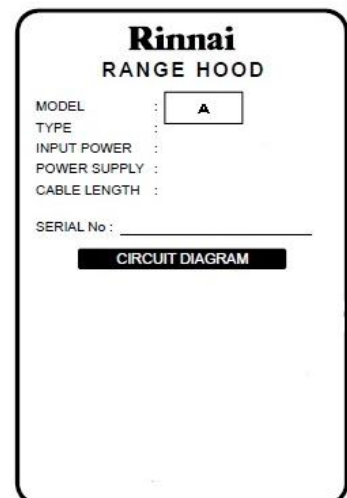
PEMECAHAN MASALAH

Masalah	Kemungkinan Penyebab	Cara mengatasinya
Tudung hisap tidak berfungsi	Tidak ada suplai arus masuk	cek konektor yang terhubung dan hidupkan tombol power utama
Sirkulasi Udara yang minim	Grease filter tersumbat oleh endapan minyak	Bersihkan grease filter dan pasang kembali saat sudah kering
	Charcoal filter tersumbat oleh cairan minyak	Ganti charcoal filter dengan set yang baru
Tudung hisap tidak efektif	Ventilasi yang tidak memadai	Pastikan bahwa dapur memiliki ventilasi yang memadai untuk memungkinkan terjadinya sirkulasi udara segar.
	Charcoal filter tidak terpasang	Pasang Charcoal filter untuk setingan pada mode recycle.
Motor berjalan tapi tidak ada aliran udara	Minimnya alat pembuangan udara.	Silahkan hubungi Layanan purna jual Rinnai
Suara yang berisik	Benda asing mungkin masuk atau bersinggungan dengan kipas	Silahkan hubungi Layanan purna jual Rinnai
Lampu tidak menyala	Lampu yang mati / terbakar	Ganti lampu yang rusak
	Lampu yang longgar	Kencangkan lampunya

Jika masalah tetap ada setelah pengecekan diatas, silahkan hubungi Layanan purna jual Rinnai untuk bantuan lebih lanjut.

Silahkan kutip nomer model dari peralatan anda seperti yang tertera pada data plate yang ada dalam peralatan anda. (Gam.13)

Untuk panggilan service bergaransi, perlu diketahui bahwa anda harus mempunyai bukti pembelian dan kartu garansi yang masih berlaku.



Gam.13 - Data plate hanya untuk gambaran saja dan spesifikasinya sangat banyak tergantung dari model.

NỘI DUNG CẦN BIẾT

Một Số Cảnh Báo An Toàn-----	22
Thông Số Kỹ Thuật - Chi Tiết - -----	24
Lắp Đặt - -----	25
Vận Hành Sản Phẩm-----	26
Vệ Sinh - Bảo Quản-----	27
Sự Cố - Cách Khắc Phục-----	28



LƯU Ý CẦN THIẾT

Để đăng ký bảo hành sản phẩm, hãy điền số seri sản phẩm vào phiếu bảo hành đính kèm sản phẩm. Vui lòng liên hệ Trung tâm DVCSKH Rinnai để được hỗ trợ thêm.

MỘT SỐ CẢNH BÁO - AN TOÀN

Vui lòng đọc kỹ hướng dẫn trước khi sử dụng sản phẩm. Nội dung sách hướng dẫn này bao gồm nhiều nội dung quan trọng liên quan đến sử dụng - bảo quản sản phẩm và an toàn cho người sử dụng.

Kiểm tra khi khai thùng

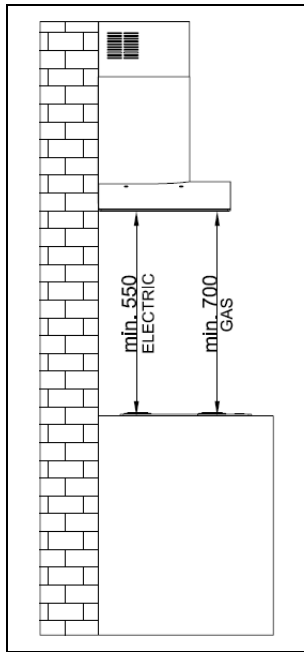
- Không sử dụng dây nguồn có dấu hiệu hư hỏng để tải điện.
- Nếu dây nguồn bị hỏng, nó phải được thay thế bởi Nhà sản xuất, trung tâm DVCSKH, trạm bảo hành được ủy quyền hoặc kỹ thuật viên đủ điều kiện để tránh nguy hiểm.
- Không để trẻ em đùa nghịch với bao bì hay túi nhựa của sản phẩm

Tiến trình lắp đặt

- Máy có thể được lắp bên trên máy bếp điện hoặc bếp gas. Khoảng cách từ mặt trên bếp đến mặt dưới của máy tối thiểu là 550mm (đối với bếp điện) và 700mm (đối với bếp gas). Hình 1.
- Máy phải lắp đúng tâm và cân bằng với bếp.
- Phải chắc rằng máy được lắp tại vị trí phù hợp với hệ thống thông gió của gian bếp.

Với người sử dụng

- Máy được thiết kế để hút khói mùi bên trong nhà bếp. Không sử dụng cho các mục đích khác.
- Không để trẻ em chơi hay vận hành máy, đồng thời giám sát việc sử dụng đối với người lớn tuổi, già yếu.
- Lắp đặt và sửa chữa máy chỉ nên được thực hiện bởi nhân viên đủ tiêu chuẩn kỹ thuật chuyên môn.
- Sẽ rất là nguy hiểm khi sửa chữa hay thay đổi bất kì chi tiết nào. Việc nhầm lẫn giữa các chi tiết kết nối điện hoặc liên quan đến các phần cứng có thể gây ra lỗi hoạt động và có thể gây nguy hiểm cho người dùng.
- Không để ngọn lửa cháy cao hay mặt phát nhiệt mà không có vật nấu bên trên.
- Nếu không có vật nấu hay sử dụng món nướng trực tiếp trên bề mặt bếp, nhiệt sẽ làm hư hại một số chi tiết máy hoặc nó sẽ bị hút vào khi máy đang hoạt động và làm cháy máy.



Hình. 1

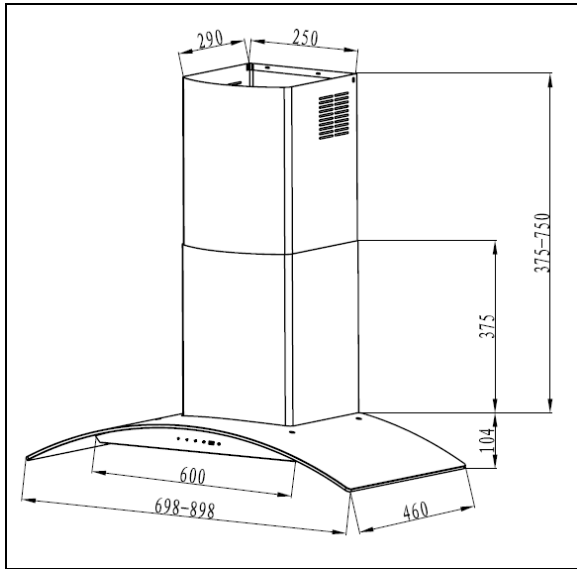
- Khi kết nối điện, kiểm tra xem điện thế và tần số có phù hợp với thông số được in trên tem sản phẩm hay không
- Kết nối điện phải được kiểm tra theo tiêu chuẩn qui định. Kiểm tra chính xác điện áp trong nhà trước khi cắm phích.
- Nên kết dây nối đất cho sản phẩm nếu có thể:
 - Xanh lá cây và vàng = Dây nối đất; Xanh dương = Dây trung tính; Nâu = Dây nóng.
- Phần kết nối ống thoát:
 - Kết nối đầu ra của máy (khớp nối) thông qua ống thoát có đường kính 150mm. Nên chọn hướng đi của ống sao cho thẳng và ngắn nhất nếu có thể.
 - Không để ống thoát cắt qua hệ thống ống dẫn khí đốt hay dùng chung ống thoát với các ống kỹ thuật khác.
 - Bố trí hệ thống thông gió thích hợp, chẳng hạn tại không gian bếp phải bố trí cửa hướng trực tiếp ra ngoài để tạo sự đối lưu không khí.

Lưu ý: Nhà sản xuất hay Nhà cung cấp sẽ không chịu trách nhiệm đối với khiếu nại liên quan đến việc bố trí hệ thống ống.

- Nhiệt quá nóng sẽ làm dầu mỡ bên trong học hứng dầu tự phát lửa.
- Không vận hành máy mà không có các học đựng dầu mỡ.
- Điều quan trọng là nên vệ sinh thường xuyên hoặc thay thế các chi tiết theo đúng định kỳ để giảm tối đa khả năng gây cháy nổ.
- Phải luôn ngắt kết nối điện trước khi tiến hành vệ sinh hay bảo trì máy.
- Đảm bảo có một nguồn điện dùng cho máy, không kết nối chung với các thiết bị khác để dễ ngắt kết nối khi cần thiết.
- Phích cắm hay dây nguồn phải đảm bảo tải, nếu quá tải sẽ gây nguy hiểm và hỏa hoạn
- **Xử lý**
- Sản phẩm và bao bì của sản phẩm không gây hại cho môi trường được sử dụng tái chế.
- Vui lòng giúp chúng tôi chăm sóc môi trường bằng cách xử lý đóng gói theo đúng cách và tái chế bất kì thiết bị cũ.
- Trước khi xử lý một thiết bị cũ, ngắt kết nối từ việc cung cấp điện và loại bỏ các dây điện để ngăn chặn mối nguy hiểm

Lưu ý: Nhà sản xuất hay Nhà cung cấp sẽ không chịu trách nhiệm đối với bất kỳ thiệt hại nào từ việc lắp đặt sản phẩm không đúng cũng như việc áp dụng các biện pháp an toàn không thích hợp trong việc lắp đặt và sử dụng.

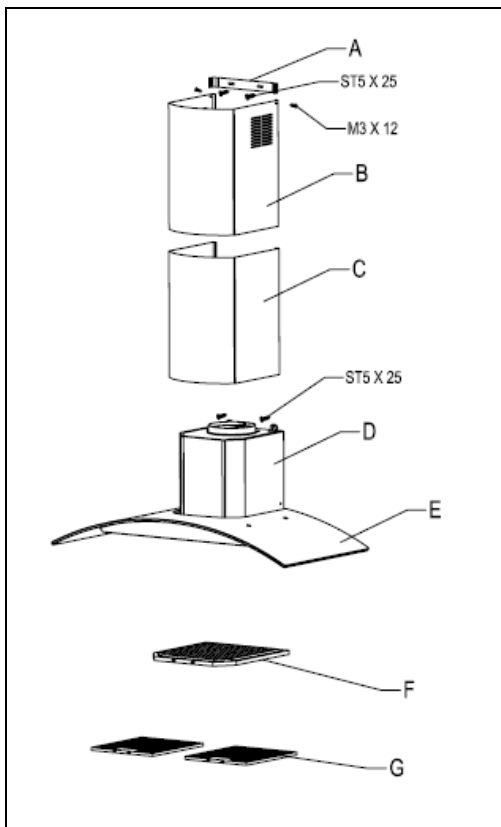
THÔNG SỐ KỸ THUẬT



Hình. 2

Model	RH-C209-GCR RH-C209-GCV
Điện nguồn	220V - 240V / 50Hz
Công suất motor	400W
Công suất đèn	2 x 20W
Chiều dài cáp nguồn	1.5m
Kích thước (W x D x H):	
Nhóm 90cm	898 x 460 x 479-854mm
<i>Lưu ý: Nhà sản xuất có quyền thực hiện bất kỳ công nghệ cải tiến hay sửa đổi mà không cần thông báo trước.</i>	

CHI TIẾT LINH KIỆN



Hình. 3

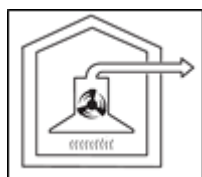
Chi tiết	SL	Linh kiện sản phẩm
A	1	Bát định vị máng che ống thoát
B	1	Máng trong
C	1	Máng ngoài
D	1	Buồng hút
E	1	Kính ngang
F	1	Than khử mùi
G	2	Lưới lọc
SL		Phụ trợ lắp đặt
	2	Vít M3 x 12
	4	Vít ST5 x 25
SL		Tài liệu đính kèm
	1	Hướng dẫn lắp đặt/sử dụng

LẮP ĐẶT

Máy có thể được lắp đặt dùng cho chế độ ống thoát hoặc tự hủy

Chế độ ống thoát (Hình 4)

- Trong chế độ ống thoát, quạt hút sẽ chiết suất dầu mỡ và chuyển qua hộp hứng thông qua lưới lọc. Phần mùi, hơi nóng sẽ được đẩy ra ngoài.
- Lưới lọc sẽ hấp thụ các hạt tinh thể dầu. Khi dùng chế độ này, không gắn than hoạt tính vào vì nó sẽ làm giảm lực hút hơi nóng ra ngoài.



Hình. 4

Chế độ tự hủy (Hình 5)

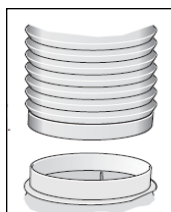
- Trong chế độ tự hủy, quạt hút sẽ chiết suất dầu mỡ và chuyển qua hộp hứng thông qua lưới lọc.
- Không khí tinh khiết sau khi được lọc bởi than hoạt tính sẽ trở lại không gian bếp thông qua cửa thoát hơi. Lưới lọc sẽ hấp thụ các hạt tinh thể dầu.
- Than hoạt tính được thiết kế để hấp thụ (khử) mùi dầu mỡ. Khi dùng chế độ này, cả lưới lọc và than hoạt tính sẽ được gắn vào máy.



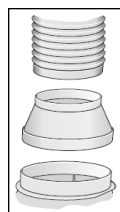
Hình. 5

Kết nối (Hình 6 và 6.1)

- Dùng ống Ø150mm gắn vào khớp nối của máy (Hình 6).
- Nếu dùng ống Ø120mm thì phải dùng một kết nối giảm (không cung cấp) và đảm bảo phải thật khớp.
- Kết nối thêm với ống dẫn ra ngoài (Hình 6.1).



Hình. 6

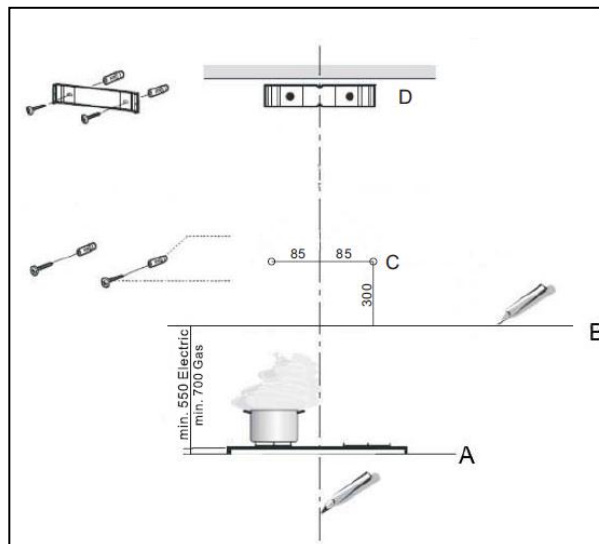


Hình. 6.1

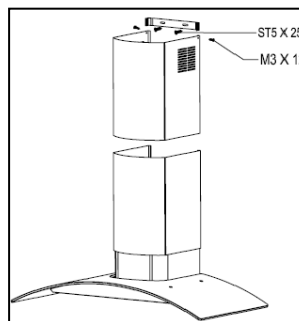
Tường (vách) treo máy (Hình 7 và 8)

Phải đảm bảo rằng tường hay vách treo máy chịu được tải trọng của máy ngay cả khi vận hành.

- Kẻ một đường thẳng đứng làm trục cho cả máy và bếp (A), từ mặt A kẻ một đường ngang (B) dựa trên tiêu chuẩn chiều cao tối thiểu lắp máy.
- Đánh dấu tham chiếu C để xác định chính xác vị trí bắt máy trên vách
- Khoang lỗ có đường kính 8mm tại vị trí trung tâm của đường C. Chèn dây nguồn vào
- Treo máy vào tường tại hai điểm đối xứng trên đường C. Xiết chặt vít (ST5 x 25) để cố định máy.
- Đặt máng che lên máy và trượt máng đến độ cao mong muốn. Kẻ đường ngang D trên mặt vách (tường) tại độ cao đã chọn.
- Đánh dấu tại vị trí các lỗ của bát treo và khoang lỗ (8mm).
- Dùng vít (ST5 x25) xiết chặt bát treo máng lên tường.
- Chỉnh sửa máng che và dùng vít (M3 x 12) cố định máng che vào bát treo máng (Hình 8).



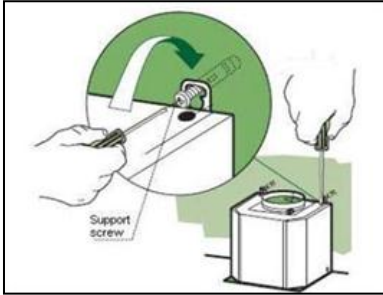
Hình. 7



Hình. 8

Điều chỉnh thân máy nếu cần thiết (Hình 9)

- Trước khi gắn thân máy vào tường, điều chỉnh hai vít treo máy.
- Dùng các vít hỗ trợ (kèm theo) để cố định máy cho chắc chắn
- Canh chỉnh máy cho chính xác theo chiều cao và cân bằng theo chiều ngang.



Hình. 9

Việc lắp đặt phải được thực hiện bởi các người có chuyên môn. Nhà sản xuất sẽ từ chối bảo hành trong các trường hợp lắp đặt sai hoặc sử dụng sai mục đích thiết kế của sản phẩm.

VẬN HÀNH

Để đạt được hiệu quả tốt

- Cho máy hoạt động trước khi bắt đầu nấu ăn.
- Sau khi nấu ăn xong, cho máy hoạt động thêm khoảng 15 phút để máy hút hết khói mùi còn đọng lại trong gian bếp và trong máy.

Bảng điều khiển



Light



Low
Speed



Medium
Speed



High
Speed



Delay Stop
Timer

LIGHT: Chạm vào để tắt/mở đèn chiếu sáng

HIGH SPEED: Chạm vào để tắt/mở quạt ở tốc độ cao.

MEDIUM SPEED: Chạm vào để tắt/mở quạt ở tốc độ trung bình.

LOW SPEED: Chạm vào để tắt/mở quạt ở tốc độ thấp.

DELAY STOP TIMER:

- Chạm vào đồng hồ để chọn thời gian tắt, có thể chọn 3-6-9-12 hoặc 15 phút.
- Sau khoảng thời gian nhất định đã chọn, quạt sẽ tự động tắt.

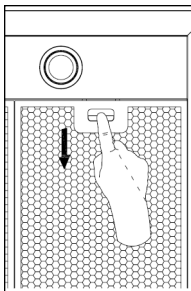
VỆ SINH - BẢO QUẢN

Chắc chắn rằng đã ngắt kết nối điện của máy với nguồn điện trước khi vệ sinh hay bảo dưỡng.

Điều quan trọng là làm sạch hoặc thay thế các bộ lọc (lưới lọc, hộc hứng dầu, than hoạt tính) trong thời gian nhất định và phù hợp để tránh nguy cơ cháy máy. Không vận hành máy mà không có các bộ lọc dầu mỡ.

Lưới lọc (Hình 10)

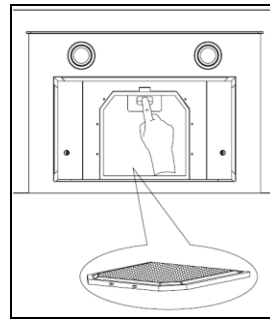
- Lưới lọc được sử dụng để hấp thụ dầu mỡ trong quá trình nấu ăn. Các lưới lọc phải được vệ sinh định kỳ sau 4 tuần và tùy theo mức độ sử dụng. Vệ sinh lưới lọc bằng tay hoặc bằng máy rửa chén. Lưu ý, phải cẩn thận để không làm biến dạng.
- Nếu rửa bằng tay, hãy ngâm lưới lọc trong nước ấm pha loãng dung dịch (để tan dầu mỡ). Dùng bàn chải mềm chà sạch rồi rửa lại bằng nước sạch sau đó để khô trước khi lắp trở lại.
- Nếu rửa bằng máy, hãy chọn chương trình rửa thích hợp rồi để khô trước khi lắp trở lại. *Lưu ý:* lưới lọc có thể đổi màu sau nhiều lần sử dụng—vệ sinh hoặc do dư dụng chất tẩy có nồng độ cao.
- Cách tháo lắp lưới lọc:
 - Để tháo lưới lọc, kéo nhẹ khóa trượt và hạ xuống từ từ.
 - Để lắp lưới lọc, đưa hai chốt của lưới vào rãnh định vị. Sau đó dùng tay kéo khóa trượt đồng thời nâng lên từ từ rồi bỏ tay ra.



Hình. 10

Than hoạt tính (Hình 11)

- Than hoạt tính nên thay sau khoảng từ 4 đến 6 tháng tùy mật độ sử dụng, lúc này than đã bão hòa nên mất tác dụng.
- Than hoạt tính không rửa được và có thể không phục hồi. Để chế độ này hoạt động hiệu quả cần thường xuyên vệ sinh bảo quản và thay than đúng định kì để tránh hiện tượng quá nhiệt làm nóng động cơ
- Cách tháo lắp lưới than:
 - Tuong tự như tháo lắp lưới lọc (do than được gắn kèm theo lưới lọc bên trong). Gỡ bỏ lưới than cũ và gắn lưới than mới vào.
 - Lắp lưới lọc và than trở lại máy.



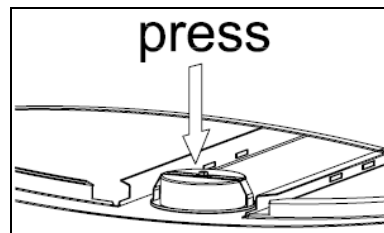
Hình. 11

Vệ sinh thân máy

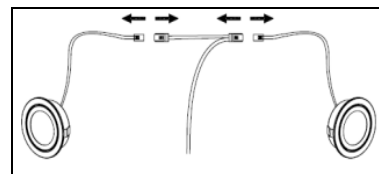
- Dùng vải mềm nhúng ẩm với nước ấm pha loãng dung dịch rửa chén. Sau đó lau lại với nước sạch và lau khô.
- Không sử dụng các vật cứng, dung dịch có nồng độ cao vì sẽ làm hư bề mặt lớp bảo vệ.

Thay thế đèn chiếu sáng (Hình 12)

- ⚠ Thay thế đèn không đúng điện áp không đúng tiêu chuẩn hoặc không tương thích sẽ làm hao tổn các linh kiện liên quan hoặc tổn thất đơn vị điện.
- Cách thay thế:
 - Ấn đều cả chụp bóng đèn theo hướng từ trong ra ngoài (Hình 12).
 - Tháo các liên kết điện của bóng đèn (Hình 12.1).
 - Thay thế bằng một bóng đèn khác (cả chụp đèn).*Lưu ý: Để mua phụ tùng (linh kiện thay thế), hãy liên hệ Trung tâm DVCSKH Rinnai hoặc trạm bảo hành được ủy quyền gần nhất.*
 - Lắp bóng đèn theo chiều ngược lại.



Hình. 12



Hình. 12.1

Lưu ý: Nên làm theo các hướng dẫn an toàn, Nhà sản xuất hay Nhà cung cấp sẽ không chịu trách nhiệm về những tổn thất hay những tổn hại, nguy hiểm do không tuân thủ các khuyến cáo an toàn.

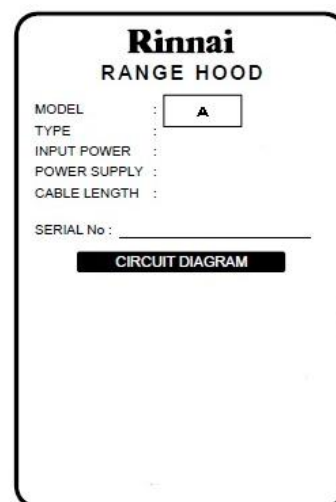
SỰ CỐ VÀ CÁCH KHẮC PHỤC

Sự cố	Nguyên nhân	Cách khắc phục
Quạt không hoạt động	Không có nguồn	Kiểm tra kết nối nguồn hoặc bo nguồn
Áp lực gió yếu	Lưới lọc bị đầy dầu mỡ	Vệ sinh lưới lọc
	Than hoạt tính đã bão hòa (no dầu)	Thay than hoạt tính mới
Hiệu quả hoạt động thấp	Thiếu thông gió	Đảm bảo gian bếp có gió ra vào
	Không lắp lưới than	Gắn lưới than vào nếu sử dụng chế độ tự hủy
Motor hoạt động nhưng không có gió	Cửa thoát bị tắt hoặc quá hẹp	Vui lòng liên hệ Trung tâm DVCSKH Rinnai hoặc trạm bảo hành được ủy quyền
Có âm thanh lạ bên trong máy	Có thể là do tác động từ bên ngoài lên cánh quạt	Vui lòng liên hệ Trung tâm DVCSKH Rinnai hoặc trạm bảo hành được ủy quyền
Đèn không sáng	Bóng đèn bị cháy	Thay thế bóng đèn bị hỏng
	Liên kết điện của bóng hoặc chân đèn không chặt	Gắn cho chặt

Nếu những trường hợp trên vẫn còn sau khi đã kiểm tra, hãy liên hệ với Trung tâm DVCSKH Rinnai hoặc trạm bảo hành được ủy quyền.

Vui lòng báo tên, số seri được in trên tem hàng hóa và dán theo sản phẩm (Hình 13).

Với sản phẩm còn nằm trong thời gian bảo hành, đó là những điều kiện quan trọng và cần thiết cùng với phiếu bảo hành đính kèm.



Hình 13. **Lưu ý:** tem hàng hóa là bao gồm việc thể hiện mục đích chỉ dẫn và thông số đặc thù liên quan đến các sản phẩm khác nhau.

สารบัญ

คำเตือนด้านความปลอดภัย-----	29
คุณสมบัติและส่วนประกอบของผลิตภัณฑ์-----	31
คำแนะนำการติดตั้ง-----	32
คำแนะนำการใช้งาน-----	33
การดูแลและบำรุงรักษาผลิตภัณฑ์-----	34
การแก้ปัญหาเบื้องต้น-----	35



ข้อสำคัญ

โปรดใส่หมายเลขเครื่อง (SerialNumber) ที่ระบุไว้ข้างกล่องบรรจุภัณฑ์ลงในใบรับประกันสินค้าเพื่อทำการลงทะเบียนรับการประกันสินค้า

คำเตือนด้านความปลอดภัย

โปรดอ่านคู่มือการใช้งานอย่างละเอียดก่อนการใช้งานครั้งแรก คู่มือนี้มีสาระสำคัญเกี่ยวกับความปลอดภัยในการใช้งาน รวมทั้งการดูแลรักษาผลิตภัณฑ์

คำแนะนำก่อนการใช้งาน

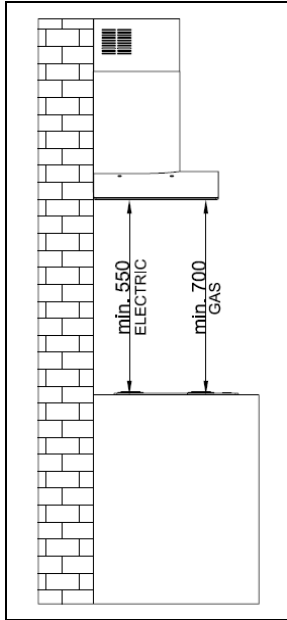
- อย่านำผลิตภัณฑ์นี้ไปใช้งาน หากมีการเสียหายอันเนื่องมาจากการจัดส่งอย่างเห็นได้ชัด
- หากสายไฟต่างๆ ได้รับความเสียหาย ผู้ผลิตต้องทดแทนให้ โดยช่างผู้ชำนาญหรือผู้ให้บริการจะเป็นผู้ดำเนินการติดตั้งให้เพื่อหลีกเลี่ยงอันตราย
- ระวังอย่าให้เด็กเล็กๆ นำพลาสติกที่ห่อบรรจุภัณฑ์ไปเล่น

คำแนะนำก่อนการติดตั้ง

- เครื่องดูดควันนี้สามารถติดตั้งได้ทั้งการใช้เตาแก๊สและเตาไฟฟ้า โดยให้มีระยะห่างจากเตาแก๊สอย่างน้อย 700 มม. และเตาไฟฟ้าอย่างน้อย 550 มม. (รูปที่ 1)

คำแนะนำก่อนการใช้งาน

- เครื่องดูดควัน ใต้ตู้ถูกออกแบบมาเพื่อใช้กำจัดกลิ่นอันไม่พึงประสงค์ในห้องครัว ดังนั้นไม่ควรใช้เครื่องดูดควันนอกเหนือจากคุณสมบัติที่ระบุไว้
- ไม่อนุญาตให้เด็กใช้งานหรือเล่นเครื่องดูดควัน และต้องกำกับดูแลหากใช้งาน โดยผู้สูงอายุหรือผู้ที่มีปัญหาสุขภาพ
- ในการติดตั้งหรือการซ่อมเครื่องดูดควัน ควรกระทำโดยช่างผู้ชำนาญเท่านั้น
- การดัดแปลงส่วนต่างๆ ของผลิตภัณฑ์เป็นเรื่องที่อันตราย การแก้ไขดัดแปลงส่วนที่เป็นการต่อไฟฟ้าหรือชิ้นส่วนต่างๆ อาจจะทำให้การทำงานผิดพลาดและทำให้ผู้ใช้งานมีความเสี่ยงอันตราย
- ขณะใช้งานเครื่องดูดควัน และมีการเปิดเตาเพื่อที่จะทำการปรุงอาหาร จะต้องมีภาชนะหุงต้มวางไว้บนเตาเสมอ อย่ายกปล่อยให้เปลวไฟกระทบกับที่ดูดควันโดยตรง
- อย่าทำการช่างหรือทำอาหารที่มีแอลกอฮอล์ผสม โดยปล่อยให้เปลวไฟกระทบที่ดูดควัน โดยตรง เพราะ เปลวไฟอาจถูกดูดเข้าไปโดนตะแกรงกรองไขมัน จะทำให้ตะแกรงไหม้ได้



รูปที่ 1

- ให้แชนที่ดูดควันไว้ตรงจุดศูนย์กลางของเตาที่ใช้ปรุงอาหาร
- การติดตั้งเครื่องดูดควันนี้
ต้องติดตั้งในบริเวณที่มีอากาศถ่ายเทได้ดีตลอดเวลา
- ก่อนการต่อเครื่องดูดควันเข้ากับอุปกรณ์ไฟฟ้า
ให้ตรวจสอบค่าความถี่และแรงดันไฟฟ้าที่ใช้ในผลิตภัณฑ์ที่ได้ระบุมา
กับตัวเครื่อง
- ต้องใช้งานตามมาตรฐานของการไฟฟ้าในท้องถิ่นนั้นได้ระบุไว้
ดังนั้นต้องตรวจสอบกำลังไฟฟ้าก่อนการใช้งาน
- เครื่องใช้ไฟฟ้านี้ต้องมีสายดิน (ที่ใช้งานได้)
โดย สายเหลืองเขียว เป็นสายดิน สายสีน้ำเงินเป็นนิวตรอน
สายน้ำตาลคือสายไฟ

คำแนะนำก่อนการติดตั้งแบบต่อท่อ :

- ต่อเครื่องดูดควันเข้ากับท่อระบายอากาศ
โดยให้ต่อผ่านท่อขนาดที่มีเส้นผ่าศูนย์กลางอย่างน้อย ๑120 มม.
และให้ต่อท่อเป็นแนวตรงและให้ความยาวท่อสั้นที่สุดเท่าที่จะเป็นไปได้
- อย่าต่อเครื่องดูดควันเข้ากับท่อระบายอากาศโดยตรง
เพราะจะทำให้เกิดควัน
- หากใช้เครื่องดูดควันนี้กับเครื่องครัวที่ไม่ใช่เครื่องใช้ไฟฟ้า
เช่นเครื่องครัวที่ใช้แก๊ส
จะต้องติดตั้งเครื่องดูดควันบริเวณที่มีการระบายอากาศที่เหมาะสม
คือห้องครัวต้องเปิดโล่งเพื่อให้อากาศบริสุทธิ์ข้างนอกเข้ามาได้
- **หมายเหตุ:**
ผู้ผลิตจะไม่รับผิดชอบต่อข้อร้องเรียนเกี่ยวกับการออกแบบและการ
วางผังงานต่อท่อ

- การปรุงอาหารอย่างต่อเนื่องด้วยน้ำมันที่มีความร้อนมากเกินไป
จะเพิ่มความเสี่ยงให้ไฟลุกไหม้
- อย่าใช้งานเครื่องดูดควันโดยไม่มีตะแกรงกรองไขมัน
- การทำความสะอาดหรือเปลี่ยนตะแกรงในเวลาที่เหมาะสมเป็นเรื่องที่สำคัญ
เพราะการสะสมของไขมันที่ตะแกรงอาจเสี่ยงให้เกิดไฟไหม้
- ให้ปิดการทำงานและดึงปลั๊กไฟออกก่อนทุกครั้ง
ก่อนที่จะถอดทำความสะอาดหรือทำการซ่อมแซมเครื่องดูดควัน
- ระวังไม่ให้สายไฟอยู่ใกล้แหล่งความร้อนหรือของมีคม
- ต้องไม่ใช่ปลั๊กไฟและสายไฟร่วมกับเครื่องใช้อื่น
การใช้งานที่ฟุ้งกันมากเกินไปเป็นเรื่องอันตรายและอาจเป็นสาเหตุให้เกิดไฟ
ไหม้ได้
- การปรุงอาหารอย่างต่อเนื่องด้วยน้ำมันที่มีความร้อนมากเกินไป
จะเพิ่มความเสี่ยงให้ไฟลุกไหม้
- อย่าใช้งานเครื่องดูดควันโดยไม่มีตะแกรงกรองไขมัน
- การทำความสะอาดหรือเปลี่ยนตะแกรงในเวลาที่เหมาะสมเป็นเรื่องที่สำคัญ
เพราะการสะสมของไขมันที่ตะแกรงอาจเสี่ยงให้เกิดไฟไหม้
- ให้ปิดการทำงานและดึงปลั๊กไฟออกก่อนทุกครั้ง
ก่อนที่จะถอดทำความสะอาดหรือทำการซ่อมแซมเครื่องดูดควัน
- ระวังไม่ให้สายไฟอยู่ใกล้แหล่งความร้อนหรือของมีคม
- ต้องไม่ใช่ปลั๊กไฟและสายไฟร่วมกับเครื่องใช้อื่น
การใช้งานที่ฟุ้งกันมากเกินไปเป็นเรื่องอันตรายและอาจเป็นสาเหตุให้เกิดไฟ
ไหม้ได้

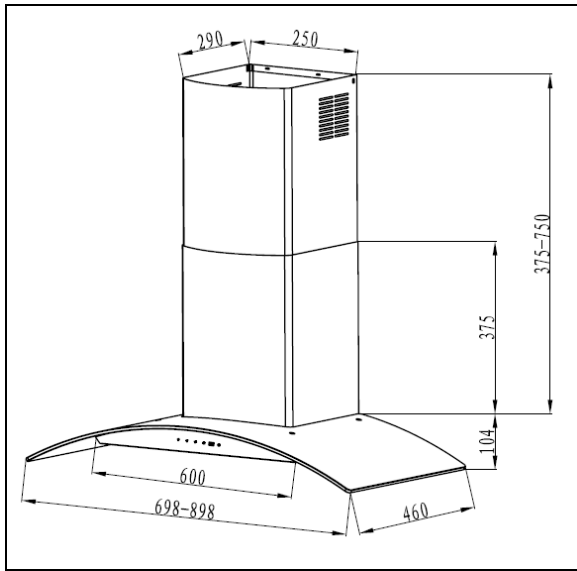
คำแนะนำในการกำจัดผลิตภัณฑ์

- ผลิตภัณฑ์และบรรจุภัณฑ์นี้เป็นมิตรกับสิ่งแวดล้อม
และสามารถนำกลับมาใช้ใหม่ได้
- โปรดช่วยเรารักษาสีสิ่งแวดล้อมด้วยการกำจัดกล่องบรรจุภัณฑ์ด้วยวิธีที่เหมาะสม
รวมทั้งการนำเครื่องใช้เก่ามาใช้ใหม่
- ก่อนการกำจัด(ทิ้ง)เครื่องใช้เก่า ให้ถอดปลั๊กและสายไฟออกจากตัวเครื่องก่อน
เพื่อป้องกันอันตรายที่อาจเกิดขึ้น

หมายเหตุ:

ผู้ผลิตไม่รับผิดชอบต่อความเสียหายใดๆที่เกิดจากการติดตั้งที่ไม่เหมาะสมและ
หรือจากการติดตั้งและการใช้งานที่ไม่เป็นไปตามคู่มือการใช้งาน

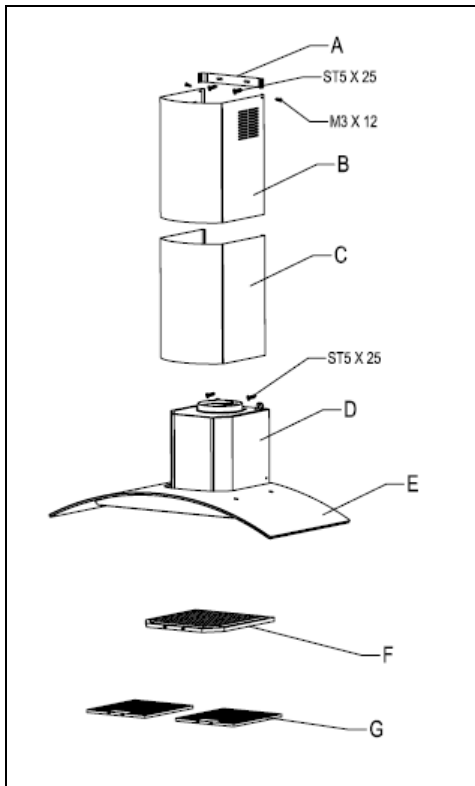
คุณสมบัติผลิตภัณฑ์



รูปที่ 2

รุ่น	RH-C209-GCR RH-C209-GCV
แรงดันไฟฟ้า	220-240 โวลต์/ 50 เฮิร์ตซ์
กำลังมอเตอร์	400 วัตต์
กำลังไฟพื้นแสงสว่าง	2 x 20 วัตต์
ความยาวสายไฟ	1.5 เมตร
ขนาดผลิตภัณฑ์ (ก x ย x ส):	898 x 460 x 479-854 มม.
ขนาด 90 ซม.	
หมายเหตุ: ผู้ผลิตขอสงวนสิทธิ์ในการพัฒนาเทคโนโลยีโดยไม่ต้องแจ้งให้ทราบล่วงหน้า	

ส่วนประกอบผลิตภัณฑ์



รูปที่ 3

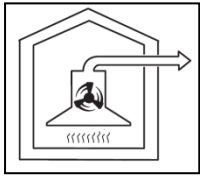
อ้างอิง	จำนวน	ส่วนประกอบผลิตภัณฑ์
A	1	ที่แ ท้อ
B	1	
C	1	
D	1	โครงเคี
E	1	ะจก
F	1	งค
G	2	
จ้		
	2	กรู M3 x 12
	4	ST5 x 25
จ้		
	1	คู่มือการติดตั้งและคู่มือการใช้งาน

เคร ดคว

วียน

การติดตั้งแบบท่อ (รูปที่ 4)

- ในการติดตั้งแบบท่อท่อนั้น พัดลมดูดควันจะดูดไอระเหยที่เกิดจากการปรุงอาหารส่งผ่านไปยังตะแกรงกรองไขมันเพื่อสกัดอากาศเสีย และระบายอากาศออกไปด้านนอก
- ตะแกรงกรองไขมันทำหน้าที่ดูดซับไอระเหยของน้ำมันหรือเขม่าที่เกิดจากการปรุงอาหาร
- การติดตั้งแบบนี้ ให้ติดตั้งตะแกรงกรองไขมันเท่านั้น



รูปที่ 4

การติดตั้งแบบหมุนเวียน (รูปที่ 5)

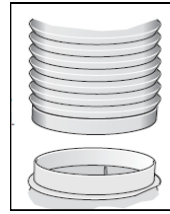
- ใช้น้ำมันเพื่อสกัดอากาศเสีย และระบายอากาศออกไปด้านนอก
- ตะแกรงกรองไขมันทำหน้าที่ดูดซับไอระเหยของน้ำมันหรือเขม่าที่เกิดจากการปรุงอาหาร
- การติดตั้งแบบนี้ ให้ติดตั้งตะแกรงกรองไขมันเท่านั้น
- ใช้น้ำมันเพื่อสกัดอากาศเสีย และระบายอากาศออกไปด้านนอก
- ตะแกรงกรองไขมันทำหน้าที่ดูดซับไอระเหยของน้ำมันหรือเขม่าที่เกิดจากการปรุงอาหาร
- การติดตั้งแบบนี้ ให้ติดตั้งตะแกรงกรองไขมันเท่านั้น



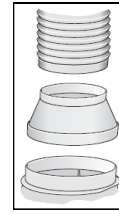
รูปที่ 5

การต่อท่อดูด (รูปที่ 6 และรูปที่ 6.1)

- ต่อท่อขนาด ๑150 มม. เข้ากับท่อดูดระบายอากาศแล้วหมุนให้พอดี (รูปที่ 5)
- ถ้าหากใช้ท่อขนาด ๑120 มม. ให้ใช้ตัวต่อเพื่อปรับขนาดให้พอดีเข้ากับท่อดูดระบายอากาศได้ (ไม่มีมาให้)
- หมุนให้เข้ากันพอดีทั้งสองด้าน (รูปที่ 5.1)
- ต่อท่อดูดเข้ากับท่อด้านนอก



รูปที่ 6

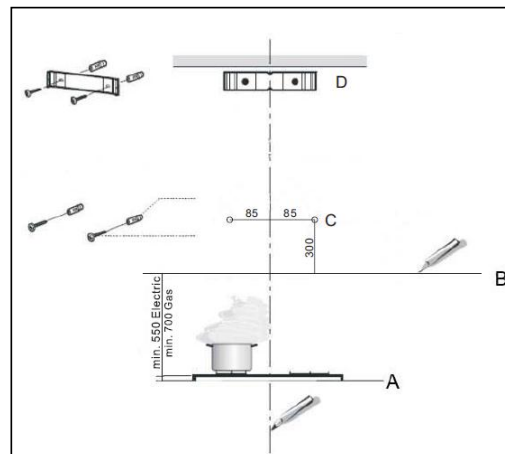


รูปที่ 6.1

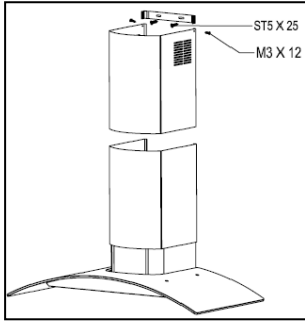
การติดตั้งครั้

ัง (รูปที่ 7 และร 8)

- ติดเส้นแนวตั้งตรงจุดศูนย์กลางบนผนังที่จะติดตั้งเครื่องดูดควัน
- จ ที่ A บคว ที่จะ ังเคร ดคว B) ทำเค องหมายท เจ าด ๑8 มม.ที่จุด าดร ายไ ที่ขีด ยึดตัวเก ดคว ดยไ ูรู ST5 x 25 จำนวน บเคร ดคว ๒ชุด: ังเคร ดคว กจำ 9) ยึดตัวเก ดคว บคว จุดศูนย์กลาง ที่ D) ก องหมายที่จุดศูนย์กลาง นเคร ดคว วเจาะร าด ๑8 มม. หลังจา นเคร ดคว ๒ชุด: นเคร ดคว ดยไ ูรู ST5 x 25 จำนวน วเคร ติดท่อด้านในเข้ากับที่แขวนท่อด้วยสกรู M3 x 12 ที่ให้มา (รูปที่ 8) สวมท่อด้านนอกลงไปและตรวจสอบให้พอดีติดตั้งเข้ากับตัวกระ โจมดูดควัน เรียบร้อยดีแล้ว



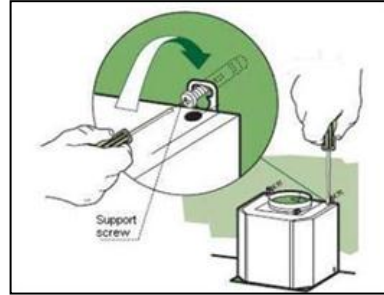
รูปที่ 7



รูปที่ 8

การปรับการติดตั้งเครื่องดูดควัน (หากจำเป็น) (รูปที่ 9)

- ก่อนการติดตั้งระจิมเข้ากับผนัง ให้ใส่สกรูจำนวน 2 ตัวเข้ากับเครื่องดูดควันก่อนตรงจุดที่ต้องใช้แขวน
- แขนงเครื่องดูดควันเข้ากับสกรูที่รองรับตัวเครื่อง แล้วขันสกรูให้แน่น
- ขันสกรู เพื่อปรับระดับของเครื่องดูดควัน



รูปที่ 9

การติดตั้งจะต้องดำเนินการโดยบุคลากรที่มีคุณภาพหรือช่างผู้ชำนาญเท่านั้น ผู้ผลิตขอปฏิเสธความรับผิดชอบทั้งหมดจากการติดตั้งที่ไม่ถูกต้องตามคำแนะนำและไม่รับผิดชอบต่อความเสียหายที่ความเสียหายนั้นเกิดจากการติดตั้งที่ไม่ถูกต้อง

คำแนะนำการใช้งาน

เพื่อให้การระบายอากาศมีประสิทธิภาพดี แนะนำให้เปิดพัดลมดูดทิ้งไว้ก่อนทำการปรุงอาหารประมาณ 15 นาที และหรือจนกว่ากลิ่นจากการปรุงอาหารหมดไปหลังการปรุงอาหารเสร็จ

สวิตช์ควบคุมพัดลมดูด

หมายเหตุ: เพียงสัมผัสปุ่มสัญญาณ พัดลมดูดควันก็จะทำงาน.



ไฟแสงสว่าง



แรงพัดลม
ต่ำ



แรงพัดลม
ปานกลาง



แรงพัดลม
สูง



ตั้งเวลาทำงาน
อัตโนมัติ

ไฟแสงสว่าง: **ON/OFF**

แรงพัดลมต่ำ: **LOW**

แรงพัดลมปานกลาง: **MEDIUM**

แรงพัดลมสูง: **HIGH**

ตั้งเวลาทำงานอัตโนมัติ: **DELAY STOP TIMER**

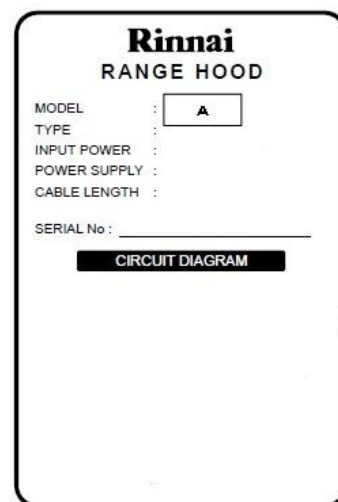
- กดปุ่ม delay stop timer ที่ 3, 6, 9, 12 หรือ 15 นาที หน้าจอจะแสดงตัวจับเวลานับถอยหลัง และพัดลมจะหยุดทำงานอัตโนมัติเมื่อเวลาที่ตั้งค่าไว้หมดลง
- การยกเลิกการจับเวลา ทำได้โดยการกดปุ่มปิดพัดลม หรือกดปุ่ม delay stop timer เพื่อล้างข้อมูลที่ตั้งค่านับถอยหลัง และให้ความเร็วพัดลมทำงานตามที่ตั้งค่าไว้

การแก้ปัญหาเบื้องต้น

เคร ดคว		วค สิบ
การไหลเวียนอากาศไม่ดี		ำคว งจา สนิทแ
	งการ	ลี่ยน งคา
คคว	ขอ พียง	องกร ำขอก คยใ ำขเท
	งคา	งคา งค้ำ วียน
เคร วียน		นซ์ รรินไน
สียงค วเคร	ำจม	ศูนย์ รรินไน
	สิบ	ลี่ยน

หากยังมีปัญหาในการใช้งานหลังจากได้ทำการแก้ปัญหาเบื้องต้น
ให้ติดต่อศูนย์บริการลูกค้าเพื่อให้คำแนะนำหรือทำการช่วยเหลือ
กรุณาระบุหมายเลขรุ่นของผลิตภัณฑ์ที่ได้แสดงไว้บนตัวเครื่อง (รูปที่ 13)

สำหรับการให้บริการภายใต้เงื่อนไขการรับประกันนั้น
ต้องเป็นไปตามข้อมูลการซื้อและระยะเวลาในการเอาประกันตามที่ระบุไว้ในใบรับประกันสินค้า



3 -

ฉล งค์เพื่อประกอบการอธิบาย
ยเท
ข้อมูลจำเพาะของผ นจะแตกต์

Rinnai Customer Care Centres

China | 中国

Guangzhou Rinnai Gas & Electric
Room 2805, No.31 Jianghe Building,
Tianshou Road, Guangzhou, China
广州林内燃具电器有限公司
中国广州天河区天寿路 31 号江河大厦 2805 室
Tel 电话 : (86) 20 3821 7976
Email 邮箱 : grrjdg@gzrinnai.com.cn
URL 网址 : www.gzrinnai.com.cn

Indonesia

Customer Care of PT. Rinnai Indonesia
Jl. Raya Perjuangan No.21,
Komp. Ruko Sastra Graha No.11 -13
Jakarta 11530
Tel : (62) 0800 1 889 889 (toll free) /
0815 112 99999 (SMS Center)
Email : customercare_bit@yahoo.com
URL : www.rinnai.co.id

Macau | 澳門

Fu Lei (Leong Si) Trading Limited
Avenida do Almirante Lacerda No. 14-14C,
Edf. Industrial Iao Son 11-And-A, Macau
富利 (梁氏) 貿易有限公司
澳門提督馬路 14-14C, 祐順工業大廈 11 樓 A
Tel 电话 : (853) 2822 0889
Fax 传真 : (853) 2822 2733
URL 网址 : www.rinnai.com.hk/mo

Malaysia

Rinnai (M) Sdn Bhd
D2-3-G & D2-3-1, Block D2, Pusat Perdagangan Dana 1,
Jalan PJU 1A/46, 47301 Petaling Jaya,
Selangor Darul Ehsan, Malaysia
Tel : (60) 3 7832 0037 / 7832 0038 / 7832 0039
Fax : (60) 3 7832 0036
Toll free: 1800-88-8180
Email: customercare@rinnai.com.my
URL : www.rinnai.com.my

Myanmar | မြန်မာ

Myanmar Kowa International Co., Ltd
No.199, Ground Floor, 34th Street (Upper Block),
Kyauktada Township, Yangon, Myanmar
အမှတ် (၁၉၉)၊ ၃၄ လမ်း (အပေါ်ဘလောက်)၊
ကျောက်တံတားမြို့နယ်၊ ရန်ကင်းမြို့။
Tel ဖုန်း : (95-1) 245925 / 246304 / (95-9) 7300 7773
Fax ဖုန်း : (95-1) 245925
Email အီးမေးလ် : marketing@myanmarkowa.com

Philippines

Mitsui Industria Corporation
10 Buenaventura St., Cor MacArthur
Highway, Dalandan Valenzuela City,
Philippines
Tel : (63) 2 292 9177 / 292 9179
Fax : (63) 2 292 8187

Singapore

Rinnai Holdings (Pacific) Pte Ltd
61 Ubi Road 1 #02-20 & 21
Oxley Bizhub Singapore 408727
Tel : (65) 6748 9478
Fax : (65) 6745 9240
Email : service@rinnai.sg
URL : www.rinnai.sg

Thailand | ประเทศไทย

Rinnai (Thailand) Co., Ltd.
61/1 Soi Kingkaew 9, Kingkaew Rd.
Racha Thewa, Bangphli, Samutprakarn 10540, Thailand
บริษัท รินไน (ประเทศไทย) จำกัด
เลขที่ 61/1 ซอยกิ่งแก้ว 9 ถนนกิ่งแก้ว ตำบลราชาเทวะ
อำเภอบางพลี จังหวัดสมุทรปราการ
ประเทศไทย 10540
Tel : (66) 2 3124330-40
Email : lucky02@luckyflame.co.th
URL : www.luckyflame.co.th

Vietnam | Việt Nam

Rong Viet Commerce Company Limited
120 3/2 Street, Ward 12, District 10,
Ho Chi Minh City, Vietnam
Công Ty TNHH Thương Mại Ròng Việt
120 Đường 3/2, Phường 12, Quận 10,
TP. Hồ Chí Minh, Việt Nam
Tel : (84) 8 3862 3409
Fax : (84) 8 5404 1964
Email : info@rongviet-rinnai.com
URL : www.rongviet-rinnai.com